

# TANK-700-QM67 720-Q67

- Intel® 2nd Gen Core™ Mobile Processor
- Intel® 2nd Gen Core™ Desktop Processor

**High Performance Fanless Embedded System with 2nd Generation Intel® Core™ i7/i5/i3 Processor**

**Combo Gigabit LAN (SFP Fiber/RJ-45)**



## Features

- 2nd Gen Intel® Core™ i7/i5/i3 or Celeron® mobile processors for TANK-700
- 2nd Gen Intel® Core™ i7/i5/i3 Pentium® and Celeron® desktop processors for TANK-720
- Intel® HD graphics supports H.264/AVC-MPEG2/VC1, DirectX 10.1 and OpenGL 3.0
- On-board 2GB DDR3 memory and one DDR3 SO-DIMM slot (system max. 10 GB)
- Dual combo (10/100/1000 BASE-T(X) or 1000 baseSFP slot RJ-45 port) Gigabit LAN ports, supporting Intel® AMT 7.0
- Supports 8-channel audio/video capture and dual display by VGA and HDMI
- Dual-band 2.4/5 GHz 802.11a/b/g/n 3T3R MIMO Wi-Fi for high speed wireless transmission



## 8-Channel Audio/Video Capture Solution

With an H.264 codec, the TANK-700/720 series is capable of compressing and decompressing Full HD (1920x1080) video in real-time without increasing CPU loadings. By supporting real-time recording, previewing, and HD video transmission through surveillance devices, the TANK-700/720 series is suitable as an intelligent monitoring system and transportation intelligent scheduling system solution.

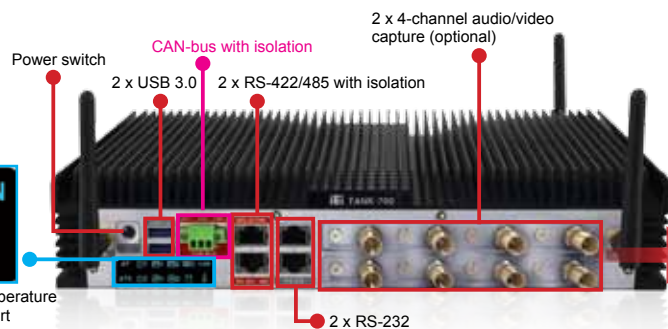
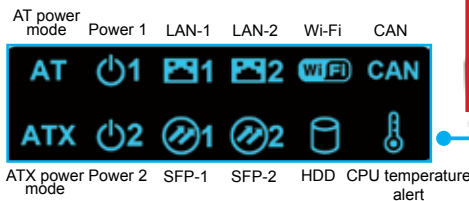
**2 x 4-channel audio/video capture (system model name: IVCS-7008)**



## Fully Integrated I/O

### Power switch and LED

1. Long-press 3 sec. to power on
2. Long-press 6 sec. to power off

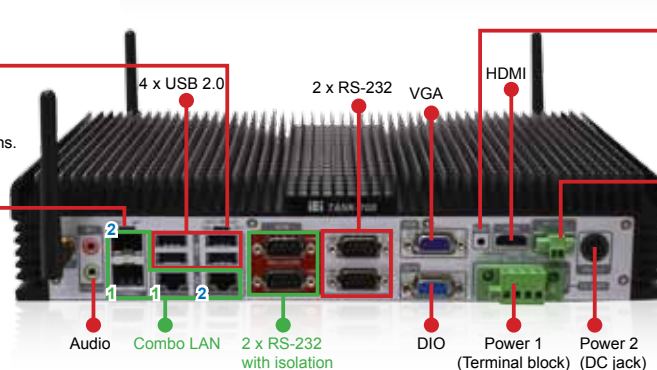


### ACC on/off

ACC on mode is designed for vehicle applications. Use the ACC signal to control power on/off.

### AT/ATX mode

Users can select a suitable mode according to the application.



### Reset

The reset button forces the system to be reset when system hangs up.

### Remote control

Users can power on/off the system by inputting low or high voltage into the terminal block.  
High (2 V~5 V): Power off  
Low (< 0.4 V): Power on



## Ordering Information

### TANK-700 series

Part No.	Description
TANK-700-QM67-C/2G-R22	Embedded System Active Fanless embedded system, Celeron® Dual Core B8xx CPU (Above 1.6 GHz), TDP 35W, 2GB DDR3 on board memory, VGA/HDMI, USB 3.0, 2 x SATA 3.0, SFP Fiber, Isolated CAN, Audio, 9 V-36 V DC input, -20°C~70°C, RoHS
TANK-700-QM67-I3/2G-R22	Embedded System Active Fanless embedded system, Core™ i3 Dual Core 2xxE CPU (Above 2.2 GHz), TDP 35W, 2GB DDR3 on board memory, VGA/HDMI, USB 3.0, 2 x SATA 3.0, SFP Fiber, Isolated CAN, Audio, 9 V-36 V DC input, -20°C~70°C, RoHS
TANK-700-QM67-I5/2G-R22	Embedded System Active Fanless embedded system, Core™ i5 Dual Core 2xxE CPU (Above 2.5 GHz), TDP 35W, 2GB DDR3 on board memory, VGA/HDMI, USB 3.0, 2 x SATA 3.0, SFP Fiber, Isolated CAN, Audio, 9 V-36 V DC input, -20°C~70°C, RoHS

### TANK-720 series

Part No.	Description
TANK-720-Q67-P/2G-R21	Fanless embedded system, Intel® Pentium® dual-core G6xxT CPU (above 2.2 GHz, TDP 35 W), 2 GB DDR3 on-board memory, VGA/HDMI, USB 3.0, two SATA 6Gb/s, SFP fiber, isolated CAN, audio, 9 V-36 V DC input, -20°C~50°C, R21, RoHS
TANK-720-Q67-I3/2G-R21	Fanless embedded system, Intel® Core™ i3 dual-core 2xxT CPU (above 2.5 GHz, TDP 35 W), 2 GB DDR3 on-board memory, VGA/HDMI, USB 3.0, two SATA 6Gb/s, SFP fiber, isolated CAN, audio, 9 V-36 V DC input, -20°C~50°C, R21, RoHS
TANK-720-Q67-I5/2G-R21	Fanless embedded system, Intel® Core™ i5 dual-core 2xxT CPU (above 2.7 GHz, TDP 35 W), 2 GB DDR3 on-board memory, VGA/HDMI, USB 3.0, two SATA 6Gb/s, SFP fiber, isolated CAN, audio, 9 V-36 V DC input, -20°C~50°C, R21, RoHS

## Options

Options	Part No.	Description
Gigabit Ethernet SFP Module	SFP1G-SX-I	1Gbps SFP optical transceiver, multi-mode/550m, 850nm (0°C ~ 70°C)/industrial grade (-20°C ~ 85°C)
	SFP1G-MLX-I	1Gbps SFP optical transceiver, multi-mode/2Km, 1310nm (0°C ~ 70°C)/industrial grade (-40°C ~ 85°C)
	SFP1G-LX10-I	1Gbps SFP optical transceiver, single-mode/10Km, 1310nm (0°C ~ 70°C)/industrial grade (-40°C ~ 85°C)
	SFP1G-XD70-I	1Gbps SFP optical transceiver, single-mode/50Km, 1550nm (0°C ~ 70°C)/industrial grade (-40°C ~ 85°C)
Fiber Cord	FPC-LCLC-MM3M	Optical connector LC/LC, multi-mode, diameter 62.5/125 μm, length 3m
Fiber Cord	FPC-LCLC-SS3M	Optical connector LC/LC, single-mode, diameter 9/125 μm, length 3m
Wi-Fi Kit	EMB-WIFI-KIT03-R10	3T3R Wi-Fi module kit for embedded system, IEEE 802.11a/b/g/n, 1 x Wi-Fi module, 3 x RF cable, 3 x Antenna, RoHS
OS: Linux (CD-ROM)	TANK-700-QM67-LNX-R10*	OS Image with Linux for TANK-700 QM67, Debian operating system, Kernel version 2.6.26, with CD-ROM, RoHS
	TANK-720-Q67-LNX-R10*	OS Image with Linux for TANK-720 Q67, Debian operation system, Kernel version 2.6.26, with CD-ROM, R10
OS: Windows Embedded 7 (CD-ROM)	TANK-700-QM67-WES7E-R10	OS Image with Windows® Embedded Standard 7 E for TANK-700 QM67 Series, CD-ROM, RoHS
	TANK-720-Q67-WES7E-R10	OS Image with Windows® Embedded Standard 7 E for TANK-720 Q67 Series, DVD-ROM, R10

\* it doesn't include video/audio capture card's driver

## Packing List

Item	Qty	Description
Pluggable DC-in Terminal Block	1	4-pin
Pluggable CAN-bus Terminal Block	1	3-pin
Pluggable Remote Control Terminal Block	1	2-pin
RJ-45 to DB-9 COM Port Cable	4	Round cable, RS-232/422/485, RS-232 cable, 2, 300mm, 26AWG, (A)D-SUB 9P male, (B)RJ-45 8P8C+SHELL, RoHS
Power Cord Convert Cable	1	Convert normal type cord to triangle type cord cable
Power Cord	1	1500 mm, European Standard
Power Adapter	1	FSP090-DIEBN2, 90 V~264 V AC input, 90 W, 19 V DC output, ErP, 4-pin DIN
Mounting Bracket	2	
Mounting Bracket Screws	8	M3*6 mounting bracket screws
Chassis Screw	8	M3*4 chassis screws for backup
One Key Recovery CD	1	DVD-ROM disk for One Key Recovery, RoHS
Utility CD	1	Drivers and user manual