

# TANK-600-D2550-N2600

■ Fanless Embedded System  
■ Intel® Cerdarview Dual Core Atom™ CPU

## Features

- Intel® Atom™ D2550 1.86 GHz dual-core processor  
Intel® Atom™ N2600 1.6 GHz dual-core processor
- Eight COM ports: six RS-232 and two RS-232/422/485
- 6 x USB 2.0
- Dual PCIe GbE LAN for high-speed network applications



## Specifications

| Model Name     |                         | TANK-600-D2550  | TANK-600-N2600  |
|----------------|-------------------------|---|---|
| Chassis        | Color                   | Black C + Silver  |   |
|                | Dimensions (WxDxH) (mm) | 193.4 x 200 x 57  |   |
|                | System Fan              | Fanless   |   |
|                | Chassis Construction    | Aluminum alloys   |   |
| Motherboard    | CPU                     | Intel® Atom™ D2550<br>1.86 GHz  | Intel® Atom™ N2600<br>1.6 GHz                             |
|                | Chipset                 | Intel® NM10   |   |
|                | System Memory           | On-board DDR3 4 GB  | On-board DDR3 2 GB  |
| Storage        | Hard Drive              | 1 x 2.5" SATA 3Gb/s HDD/SSD bay   |   |
|                | mSATA                   | 1 x mSATA (SATA 3Gb/s signal)   |   |
| I/O Interfaces | USB 2.0                 | 6   |   |
|                | Ethernet                | 2 x RJ-45<br>PCIe GbE by Realtek 8111E  |   |
|                | COM Port                | 6 x RS-232 (DB-9)<br>2 x RS-232/422/485 (DB-9)                                |   |
|                | Display                 | 1 x VGA   |   |
|                | Resolution              | VGA: Up to 2048 x 1536@75Hz   |   |
|                | Audio                   | 1 x Line-out, 1 x Mic-in  |   |
|                | Expansions              | PCIe Mini   | 1 x Full size (co-lay mSATA)<br>1 x Half size             |
| Power          | Power Input             | DC Jack: 9 V~36 V DC  |   |
|                | Power Consumption       | 12 V@2.2 A<br>(Intel® Atom™ D2550 with<br>4 GB DDR3 memory)                   | 12 V@2 A<br>(Intel® Atom™ N2600 with<br>2 GB DDR3 memory) |
| Reliability    | Mounting                | VESA 100, DIN-Rail  |   |
|                | Operating Temperature   | -20°C ~70°C with air flow (SSD),<br>5% ~ 95%, non-condensing                  |   |
|                | Storage Temperature     | -30°C ~80°C   |   |
|                | Operating Shock         | Half-sine wave shock 5G, 11ms, 3 shocks per axis                              |   |
|                | Operating Vibration     | MIL-STD-810F 514.5C-2 (with SSD)  |   |
|                | Weight (Net/Gross)      | 2.2 kg/3 kg   |   |
|                | Safety/EMC              | CE/FCC  |   |
| OS             | Supported OS            | Microsoft® Windows® Embedded Standard 7 E,<br>Microsoft® Windows® XP Embedded |   |

## Fulfill a Great Variety of Applications



## Wide Range Temperature



The TANK-600 supports -20°C~70°C wide range environment.  
The best choice for some ruggedize applications.

## RS-232



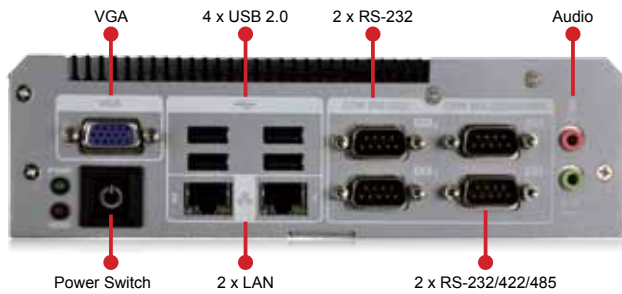
RS-232 is a standard serial port to connect between DTE (Data Terminal Equipment) and DCE (Data Communication Equipment). With the advantage of long distance transmission and simple transmission line, the TANK-600 can fulfill users' demand to connect a large number of devices through the RS-232 serial ports.

## Versatile Mounting Ways

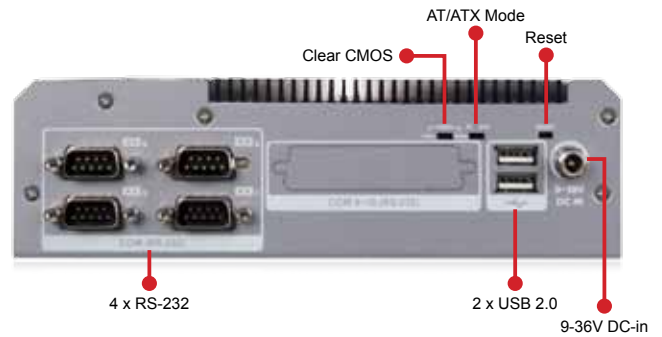
The TANK-600 series can be mounted with VESA 100 devices, DIN rail or wall mount kit providing users different ways to meet their applications.



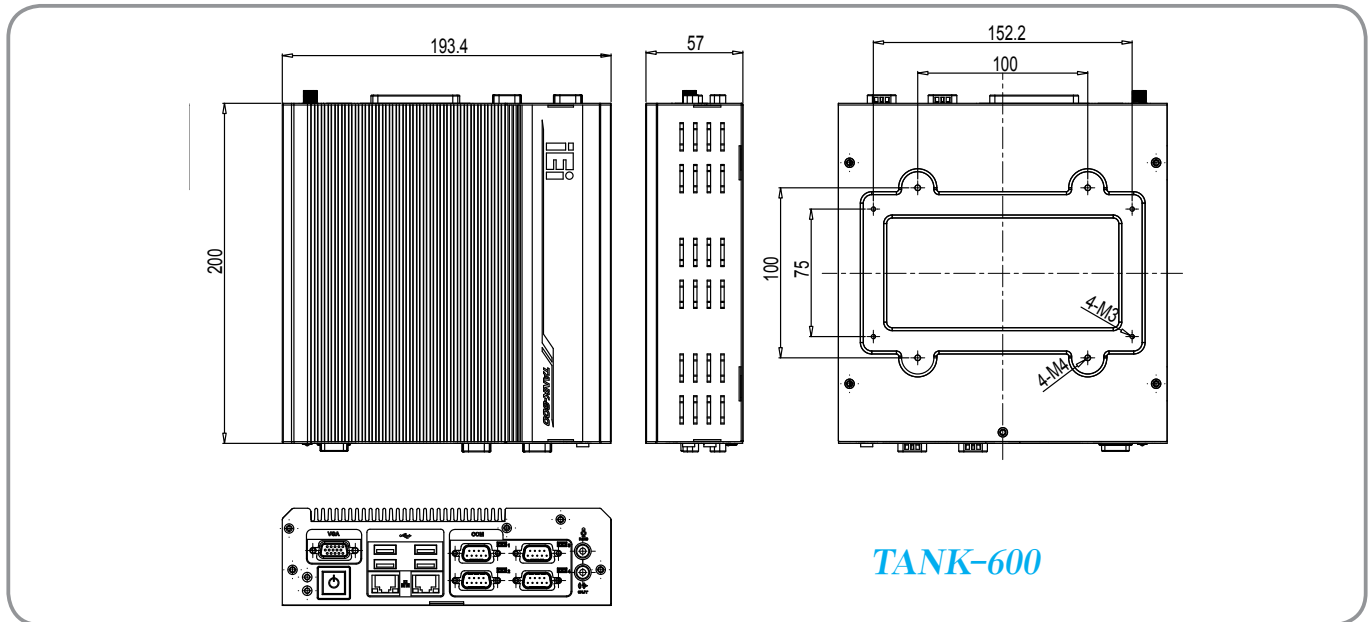
Front View



Rear View



Dimensions (Unit: mm)



TANK-600

Ordering Information

| Part No.                    | Description  |
|-----------------------------|--|
| TANK-600-CV-D2550-8C/4G-R11 | Fanless wide temperature embedded system with Intel® Atom™ D2550 1.86 GHz processor dual-core CPU, with 4 GB on-board DDR3 RAM, one VGA, dual GbE LAN, six USB 2.0, two RS-232/422/485, six RS-232, RoHS |
| TANK-600-CV-N2600-8C/2G-R11 | Fanless wide temperature embedded system with Intel® Atom™ N2600 1.6 GHz processor dual-core CPU, with 2 GB on-board DDR3 RAM, one VGA, dual GbE LAN, six USB 2.0, two RS-232/422/485, six RS-232, RoHS  |

Options

| Part No. | Qty | Description                                    |
|----------|-----|--|
| DK-84MB  | 1   | DIN mount kit for embedded system, black, RoHS |
| AFLWK-19 | 1   | VESA 100 mount kit                             |

Packing List

| Item                           | Qty | Description   |
|--------------------------------|-----|---|
| Power cord                     | 1   | Power cord, European code (VDE), 2, 1830 mm, (A) Plug (16 A 250 V) SH-005, (B) Connector (10 A 250 V) SH-006, Self-Man, CCL, RoHS   |
| Power adapter (Meet PSE & ErP) | 1   | FSP065-REBN2, 90 V~264 V AC input, 65 W, 19 V DC output, ErP  |
| Wall mount bracket             | 1   | Wall mount bracket/holder NCT processing formation, TANK-600-CV, PAINTING, PMS 8401C, 41019-1106XX, NCT(N), SECC, VER:00, CCL, RoHS |
| Screw set                      | 1   |   |
| One Key recovery CD            | 1   | CD-ROM Disk, V1.3, RECOVERYV13.ISO, for One Key Recovery, RoHS  |
| Utility CD                     | 1   | Drivers and user manual   |