

PPC-F Bay Trail Fanless Series

New

5.7"/8"/10.4" Fanless Intel® Bay Trail Solution

Features

- 5.7", 8" and 10.4" fanless industrial panel PC
- Quad-core Intel® Celeron® processor J1900 2.0GHz or dual-core Intel® Celeron® processor N2807 1.58GHz
- Low power consumption DDR3L memory supported
- IP 65 compliant front panel
- 9 V~30 V wide DC input
- SSD mSATA supported
- Dual GbE for backup
- -10°C~50°C extended operating temperature



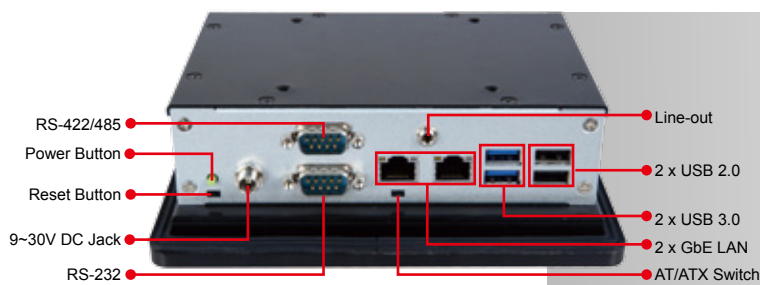
Specifications

Fanless

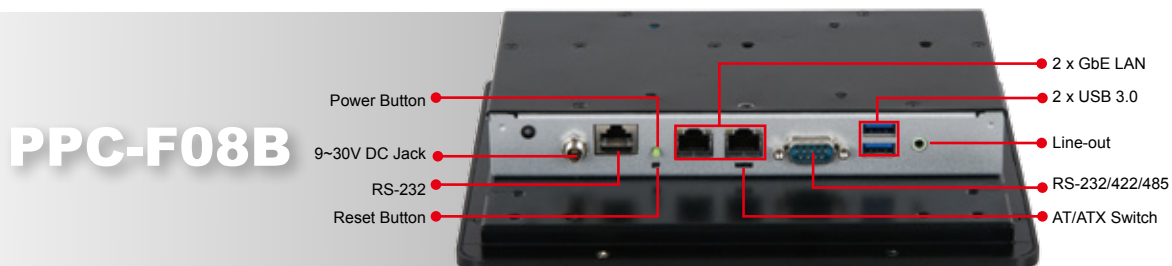
Fanless

Fanless

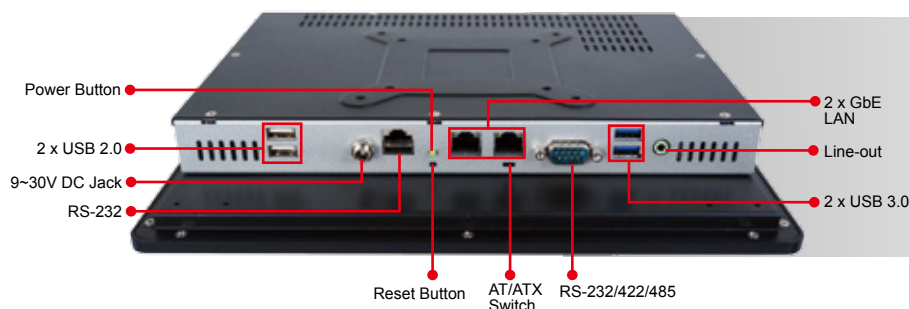
| Model | | PPC-F06B-BT | PPC-F08B-BT | PPC-F10B-BT |
|------------------|---------------------------------------|--|--|---|
| LCD | LCD Display | 5.7" (4:3) | 8" (4:3) | 10.4" |
| | Max Resolution | 640 (W) x 480 (H) | 800 (W) x 600 (H) | 800 (W) x 600 (H) |
| | Brightness (cd/m ²) | 550 | 500 | 400 |
| | Contrast Ratio | 800:1 | 500:1 | 700:1 |
| | LCD Color | 262K | 16.2M | 16.2M |
| | Pixel Pitch (mm) | 0.18(H) x 0.18(V) | 0.2025(H) x 0.0675(V) | 0.264(H) x 0.264(V) |
| | Viewing Angle (H-V) | 160° / 140° | 140° / 120° | 160° / 140° |
| | Backlight MTBF (Hrs) | 50000 | 25000 | 30000 |
| Motherboard | CPU | Intel® Celeron® processor N2807 dual-core, 1.58GHz | Intel® Celeron® J1900 on-board SoC quad-core, 2GHz | |
| | RAM | 2GB DDR3L 1600MHz On-board RAM (System max. 4GB by MOQ=300pcs) | 2 x 204-pin DDR3L SO-DIMM slot (max. 8GB) | |
| Touch | Touchscreen & Controller | 4-wire resistive type flat touch window, PenMount DMC9000 | 5-wire resistive type flat touchscreen | |
| | Surface Hardness | 3H | 3H | 3H |
| Input Interfaces | I/O Ports & Switches | 1 x RJ-45 LAN port 1 x RS-232 COM port (DB-9 connector) (RI/5V/12V) 1 x RS-422/485 2 x USB 3.0 2 x USB 2.0 1 x 9-30V lockable DC jack (2-pin) 1 x Audio port (line-out) 1 x Power switch 1 x Reset button 1 x AT/ATX switch | 1 x RS-232 COM port (RJ-45 connector) 1 x RS-232/422/485 COM port (DB-9 connector) (RI/5V/12V) 2 x USB 2.0 2 x USB 3.0 2 x GbE LAN 1 x Power switch 1 x Reset button 1 x AT/ATX switch 1 x Audio port (line-out) 1 x 9 V~30 V lockable power jack | 1 x RS-232 COM port (RJ-45 connector) 1 x RS-232/422/485 COM port (DB9 connector) (RI/5V/12V) 2 x USB 2.0 2 x USB 3.0 2 x GbE LAN 1 x Power switch 1 x Reset button 1 x AT/ATX switch 1 x Audio port (line-out) 1 x 9 V~30 V lockable power jack |
| | | Expansion | 1 x Full-size PCIe Mini slot (with mSATA, PCIe/USB signal) | 1 x Full-size PCIe Mini slot (with mSATA/Pcie/USB signal) 1 x Half-size PCIe Mini slot for Wi-Fi modules |
| Wireless LAN | | SMA antenna (optional) | | |
| Storage | SSD | mSATA | mSATA | mSATA |
| | HDD | N/A | N/A | 1 x 2.5" HDD bay |
| Physical | Construction Material | Aluminum front bezel | | |
| | Mounting | Stand/ Panel Mount/ Rack Mount/ VESA 75*75 | Stand/ Panel Mount/ Rack Mount/ VESA 75*75 | Stand/ Panel Mount/ Rack Mount/ VESA 75*75/100*100 Mount |
| | Enclosure Color | Black C | | |
| | Dimensions (mm) | 136.4 x 178.5 x 56.3 | 182.2 x 222.2 x 44 | 232.4 x 285.2 x 44 |
| | Net Weight | 0.89kg | 1.17kg | 1.77kg |
| | Cut-out Dimensions (mm) | 157.5 x 115.4 | 207 x 154 | 267.2 x 214.4 |
| Environment | Operating Temperature (with air flow) | -10°C~50°C (14°F~122°F) | | |
| | Storage Temperature | -20°C~60°C (-4°F~140°F) | | |
| | Humidity | 10% to 95% (non-condensing) | | |
| | IP Level | IP 65 compliant front panel | | |
| | Safety and EMC | CE & FCC Class A certified | | |
| Power | Power Supply | 9 V~30 V DC | | |
| | Power Consumption | 24W | 38W | 40W |



PPC-F06B



PPC-F08B



PPC-F10B

Options

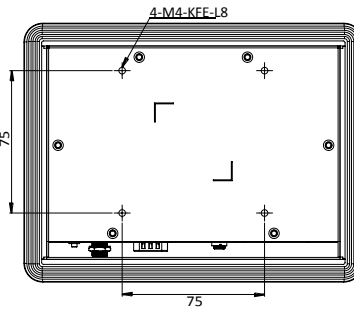
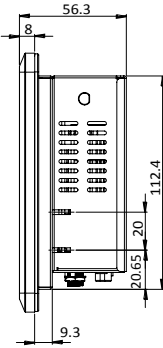
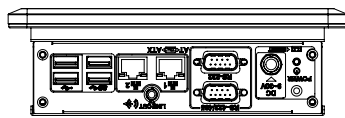
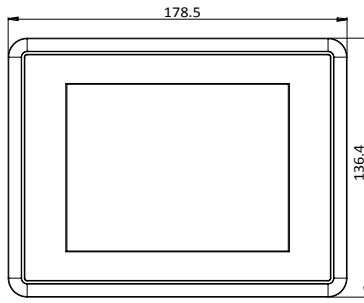
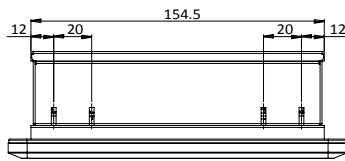
| Item | PPC-F06B | PPC-F08B | PPC-F10B |
|-----------------|---------------------------|--|--|
| ARM | ARM-11-RS | ARM-11-RS | ARM-11-RS |
| Stand | STAND-100-RS STAND-B08 | STAND-100-RS STAND-B08 STAND-C12-R10 | STAND-100-RS STAND-B08 STAND-C12-R10 |
| Wall Mount Kit | AFLWK-12 | AFLWK-12 | AFLWK-12 |
| Panel Mount Kit | FPK-07-R10 | FPK-07-R10 | FPK-07-R10 |
| WiFi Kit | PPC-WL-KIT02-R11 | | |

Packing List

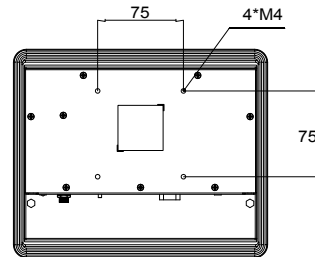
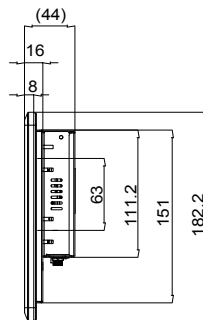
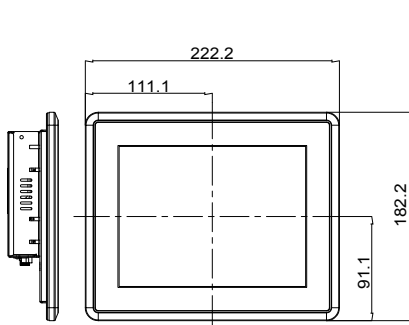
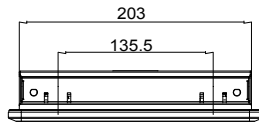
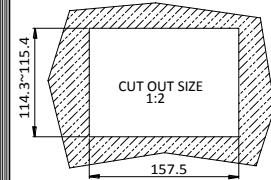
| Item | Q'ty | Remark |
|-------------------------|------|---|
| PPC-FxxB-BTi Panel PC | 1 | |
| User Manual & Driver CD | 1 | |
| One Key Recovery CD | 1 | |
| Touch Pen | 1 | Resistive type models only P/N: 43125-0002C0-00-RS |
| Power Cord | 1 | Part numbers varies by regions |
| Screw Pack | 1 | Including necessary screws |
| Power Adapter | 1 | 9V~36V DC |

Ordering Information

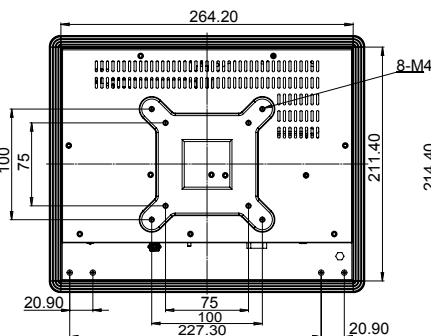
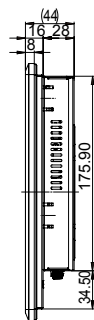
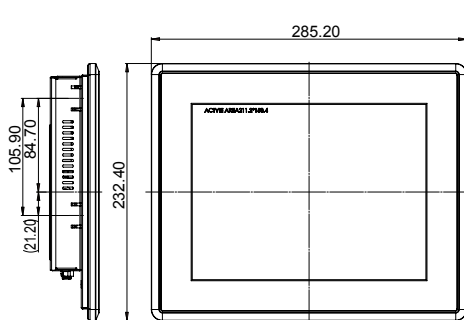
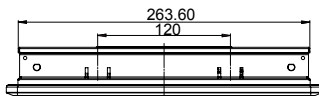
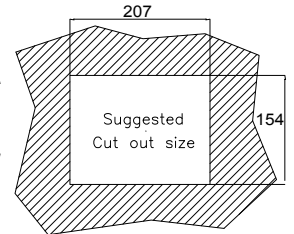
| | Part Number | Description |
|-----|-------------------------|--|
| 6" | PPC-F06B-BT-N1/2G/R-R10 | 5.7" 450 cd/m ² VGA panel PC with Intel® Celeron® processor N2807, TDP 4.3W, 2GB on-board DDR3L RAM, black color, 9-30V DC input, resistive touch window, R10 |
| 8" | PPC-F08B-BT-J1/2G/R-R10 | 8" 500 cd/m ² SVGA panel PC with Intel® Celeron® processor J1900, TDP 10W, 2GB DDR3L RAM, black color, 9-30V DC input, resistive touch window, R10 |
| 10" | PPC-F10B-BT-J1/2G/R-R10 | 10.4" 400 cd/m ² SVGA panel PC with Intel® Celeron® processor J1900, TDP 10W, 2GB DDR3L RAM, black color, 9-30V DC input, resistive touch window, R10 |



PPC-F06B-BT
Dimensions (Unit: mm)



PPC-F08B-BT
Dimensions (Unit: mm)



PPC-F10B-BT
Dimensions (Unit: mm)

