

8.4" Industrial Panel PC

PPC-3708A-N26

Intel® Atom™ N2600 Dual-Core Processor



PPC-3708A-N270

Intel® Atom™ N270 Processor



Features

- 8.4" 450 nits high brightness TFT LCD with LED backlight
- Dual Ethernet provides continuous network service and allows sharing among different workgroups in two different subnets
- Robust aluminum front bezel and metal casing
- IP 66 compliant front panel
- IEI One Key Recovery solution allows you to create rapid OS backup and recovery (Over 4GB storage capacity suggested)



Specifications

Model		PPC-3708A-N26	PPC-3708A-N270
Display	LCD Size	8.4 "	
	Max Resolution	800(W) x 600(H)	
	Brightness (cd/m ²)	450	
	Contrast Ratio	600:1	
	LCD Color	262K	
	Pixel Pitch (mm) (HxV)	0.213(H) x 0.213(V)	
	Viewing Angle (V/H)	140°/160°	
	Backlight MTBF (hrs)	50000 (LED Backlight)	
Touch	Touch Screen	Resistive Type 4-Wire with RS-232 interface	
	Touch Controller	EETI MBMER4040CPBG	
Motherboard	SBC	NANO-CV-N26001	NANO-945GSE-N270
	CPU	Intel® Atom™ N2600 dual-core processor 1.6GHz	Intel® Atom™ process N270 1.6GHz CPU
	Chipset	Intel® NM10	Intel® 945GSE + ICH7M
	RAM	One 204-pin SO-DIMM socket, supporting DDR3 800MHz modules for up to 2GB	One 204-pin SO-DIMM socket, supporting DDR2 533MHz modules for up to 2GB
	Ethernet	Realtek RTL8111E PCIe GbE controller supporting ASF 2.0	Realtek RTL8111E PCIe GbE controller supporting ASF 2.0
	Audio Codec	Realtek ALC662 HD audio codec	Realtek ALC655 AC'97 audio codec
I/O Ports and Switches		2 x RS-232 1 x RS-422/485 2 x RJ-45 for LAN Port 2 x USB 3.0 2 x USB 2.0 1 x HDMI 1 x VGA Port 1 x Line-in, Line-out, Mic-in 1 x 12VDC input Power Jack 1 x Power Switch	2 x RS-232 1 x RS-232 (Alternative to RS-422/485) 2 x RJ-45 for LAN Port 2 x USB 2.0 1 x VGA Port 1 x Line-in, 1 x Line-out, 1 x Mic-in 1 x PS/2 mouse and keyboard interface 1 x 12VDC input Power Jack 1 x Power Switch
Drive Bay	HDD Driver Bay	1 x 2.5" SATA HDD Bay	
	SSD	1 x mSATA (SATA2 Signal)	CF Type II
Expansion Slot		1 x PCIe Mini card	1 x PCIe Mini card
Physical	Front Panel Construction	Aluminum Die-casting	
	Chassis Construction	Heavy-duty Steel (SECC)	
	Mounting	Panel, Wall, Rack, Stand and Arm VESA 100mm x 100mm	
	Front Panel Color	Silver (Pantone 8001C)	
	Dimensions (WxHxD) (mm)	244 x 175 x 86.5	244 x 178 x 80.2
	Cut Out Dimensions (WxH) (mm)	233 x 167	233 x 167
	Net /Gross Weight	2.2Kg/ 4.4Kg	2.2 Kg / 4.4 Kg
System Cooling		Fanless	
Environment	Operating Temperature	-10°C ~ 50°C	-10°C~50°C
	Storage Temperature	-20°C~60°C	
	IP Rating	IP66 compliant front panel	
	Vibration	5~17Hz, 0.1 double amplitude displacement 17~640Hz 1.5G acceleration peak to peak	
	Shock	10G acceleration part to part (11ms)	
Power Supply	Power Adapter	P/N: 63040-010060-050-RS 60W Power Adapter (Meet PSE) Input: 90VAC~264VAC, 50/60Hz Output: 12VDC	P/N: 63040-010060-050-RS 60W Power Adapter (Meet PSE) Input: 90VAC~264VAC, 50/60Hz Output: 12VDC

Versatile Mounting Methods



Wall Mount



Stand



Panel Mount



Rack Mount



Ordering Information

Part No.	Description
Intel® Atom™ N2600 PPC-3708A-N26/R/2G-R12*	8.4" 450 cd/m ² SVGA Panel PC with Intel® Atom™ N2600 1.6GHz processor, 2GB DDR3 RAM, touch screen, 9~28VDC input, RoHS
Intel® Atom™ N270 PPC-3708A-N270/R/1G-R23	8.4" 450 cd/m ² SVGA Panel PC with Intel® Atom™ N270 1.6GHz/ 512KB L2 cache processor, 1GB DDR2 RAM, touch screen, 12VDC input. R23, RoHS

* PPC supports 9-28V DC input with 4-pin DC jack. Standard product includes 12V DC adapter. For terminal block solution, please contact sales team.

Packing List

Item	Part No.	Description
Screw Kit	19600-000205-RS	
Power Cord	63040-010060-040-RS	EUROPEAN Standard ,1830MM, PLUG(16A 250V), CONNECTOR (10A 250V)
Power Adapter	63040-010060-050-RS	60W, 90VAC~264VAC for PPC-3708A-N270 & PPC-3708A-N26
PS/2 Cable	32006-000300-100-RS	1 x MINI DIN 6-pin MALE; 2 x MINI DIN 6-pin FEMALE
Panel Mounting Kit	19Z00-000026-RS	19Z00-000026-RS x8
Wall Mounting Kit	41014-057602-00-RS	ULTRA SET PLATE
	41020-016102-00-RS	WALL MOUNT BRACKET
IEI One Key Recovery CD	IEI-7B000-000478-RS	
Touch Screen Driver CD / Touch Pen		
User Manual & Driver CD		

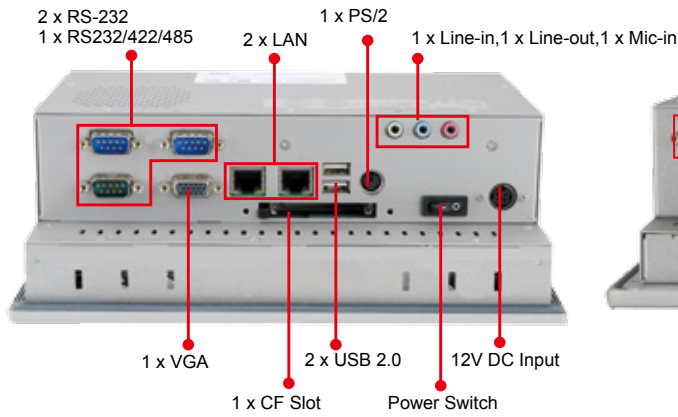
IQ Mounting Options

Item	Part No.
Rack Mount Kit	RK-084MS-R10
ARM	ARM-11-RS
STAND	STAND-100-RS

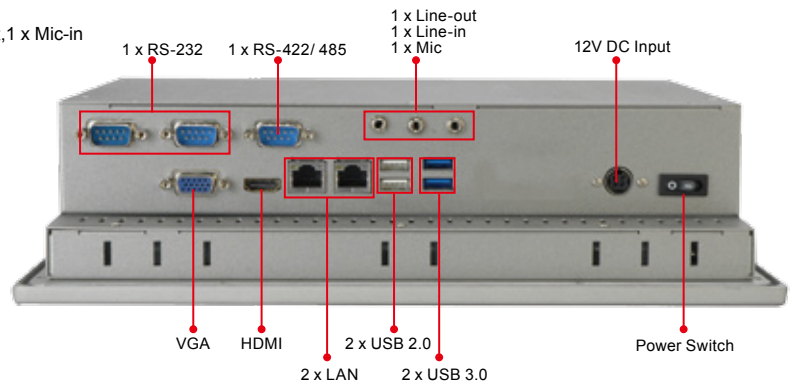
Options

Item	Part No.	Description
RS-422/485 Cable	32200-075202-RS	(A) D-SUB 9PIN MALE (B) DU PONT 2*7P P=2.0 FEMALE
HDD IDE Cable	32221-000200-100-RS	100MM, IDE 44-pin
Wi-Fi Module	PPC-WL-KIT02-R10	Wi-Fi module with RF cable and antenna, 2T2R, 802.11 b/g/n for PPC-37xxA-N26 series (Telec certified)

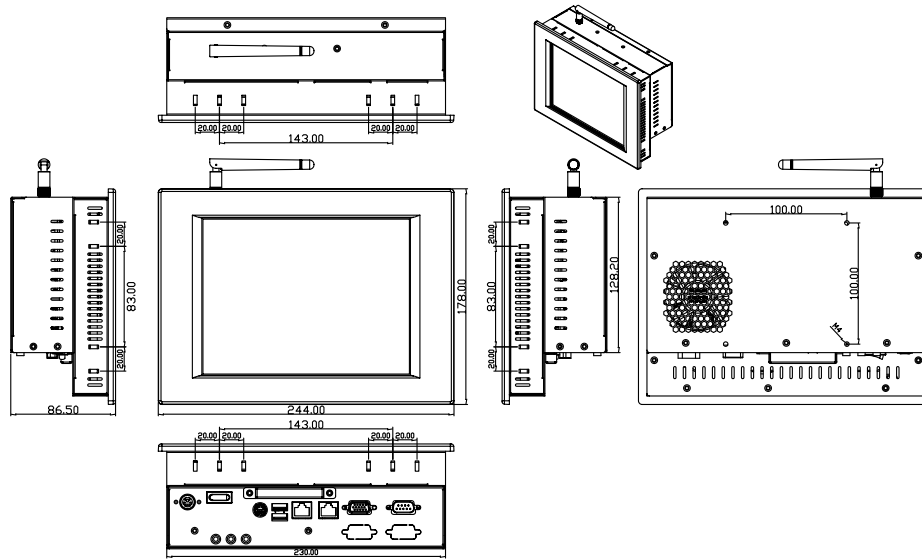
PPC-3708A
Fully Integrated I/O



PPC-3708A-N26
Fully Integrated I/O



PPC-3708A
Dimensions
(Unit: mm)



PPC-3708A-N26
Dimensions
(Unit: mm)

