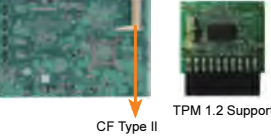
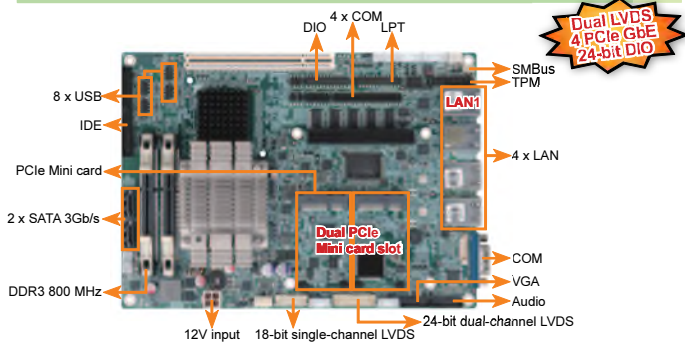


# NOVA-PV-D5251

5.25" SBC, Intel® Atom™ D425/D525, DDR3, 18-bit+48-bit LVDS/VGA, Dual PCIe Mini, Quad PCIe GbE, USB 2.0, SATA 3Gb/s, Audio, RoHS



## Features

- 5.25" SBC supports Intel® Atom™ D525/D425 processor
- 800/1066 MHz DDR3 supports up to 4 GB
- VGA/18-bit single-channel/24-bit dual-channel LVDS for dual independent display support
- Quad PCIe Ethernet, two SATA 3Gb/s, and six RS-232 serial port connectors
- TPM V1.2 hardware security function supported by TPM module
- IEI One Key Recovery solution allows you to create rapid OS backup and recovery

## Specifications

- ◆ CPU: 1.8GHz Intel® Atom™ D525 dual-core processor with 1MB L2 cache
- ◆ Chipset: Intel® ICH8M
- ◆ BIOS: UEFI BIOS
- ◆ Memory: Two 204-pin 800 MHz DDR3 SDRAM SO-DIMM supports up to 4 GB
- ◆ Ethernet: LAN1: Realtek RTL8111E PCIe GbE controller with ASF 2.0 support; LAN2~4: Realtek RTL8111E PCIe GbE controller
- ◆ Graphics: GMA 3150; Graphic core speed 400 MHz for D525
- ◆ External I/O Interface: 1 x RS-232
- ◆ Internal I/O Interface: 1 x CF Type II, 1 x KB/MS (1x6 pin), 1 x IDE, 1 x LPT (2x13 pin, P=2.0), 3 x RS-232 for NOVA-PV-D5251-G2L2-R11 (2x5 pin, P=2.0), 4 x RS-232 for NOVA-PV-D5251-G4-R11 (2x5 pin, P=2.0), 1 x RS-232/422/485 (2x5 pin, P=2.0) (Auto flow control), 2 x SATA 3Gb/s with 5V SATA power connector (no RAID), 8 x USB 2.0 (2x4 pin, P=2.0)
- ◆ TPM: 1 x TPM connector (2x10 pin)
- ◆ SMBus: 1 x SMBus (1x4 pin)
- ◆ Expansion: 1 x PCI-104, 2 x Full-size PCIe Mini card slot, 1 x PCI
- ◆ Digital I/O: 1 x 24-bit digital I/O (2x15 pin)
- ◆ Super IO: Fintek F81865
- ◆ Display Output: Dual display supported; VGA (up to 2048x1536@60Hz), 18-bit single-channel LVDS (up to 1366x768@60Hz), 24-bit dual-channel LVDS (up to 1920x1080@60Hz)
- ◆ Audio: Realtek ALC662 HD Audio codec
- ◆ Watchdog Timer: Software programmable supports 1~255 sec. system reset
- ◆ Fan Connector: 1 x CPU smart fan (1x4 pin), 1 x System smart fan (1x3 pin)
- ◆ Power Supply: 12V only DC input; 1 x Internal power connector (2x2 pin); Support AT/ATX mode
- ◆ Power Consumption: 12V@1.46A (Intel® Atom™ D525 1.8GHz with two 800 MHz 1 GB DDR3 SO-DIMM)
- ◆ Operating Temperature: -10°C ~ 60°C
- ◆ Operating Humidity: 5% ~ 95%, non-condensing
- ◆ Dimensions: 203 mm x 146 mm
- ◆ Weight: GW: 1000g/NW: 400g

## Packing List

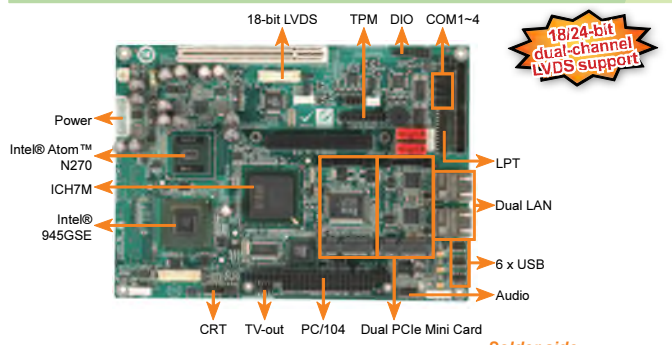
1 x NOVA-PV-D5251 single board computer	
1 x Audio cable	1 x VGA cable
1 x KB/MS Y cable	1 x Mini jumper pack
1 x Quad port RS-232 cable	1 x One Key Recovery CD
1 x SATA with power cable kit	1 x QIG
1 x USB cable	1 x Utility CD

## Ordering Information

Part No.	Description
NOVA-PV-D5251-G4-R12	5.25" SBC, Intel® Atom™ D525 dual-core 1.8GHz, DDR3, 18-bit LVDS/VGA, dual PCIe Mini, quad PCIe GbE, USB 2.0, SATA 3Gb/s, audio, RoHS
NOVA-PV-D5251-G2L2-R12	5.25" SBC, Intel® Atom™ D525 dual-core 1.8GHz, DDR3, 18+48-bit LVDS/VGA, dual PCIe Mini, dual PCIe GbE, USB 2.0, SATA 3Gb/s, audio, RoHS
19FFD124010HB2A7-000001-RS	CPU fan (40mm x 40mm x 10mm)
32200-000009-RS	44-pin 2.5" IDE cable, 400mm, P=2.0
32200-015100-RS	LPT cable, 280mm, P=2.0
32200-026500-RS	RS-232/422/485 cable, 290mm, P=2.0
34000-000510-RS	30mm higher heatsink
TPM-IN01-R11	20-pin Infineon TPM module, software management tool, firmware v3.17

# NOVA-945GSE

5.25" SBC, Intel® Atom™ N270 1.6GHz, LVDS/VGA/HDTV, Dual PCIe Mini, Dual PCIe GbE, USB 2.0, SATA, RoHS



## Features

- 1.6GHz Intel® Atom™ N270 processor with fanless support
- 400/533 MHz DDR2 SO-DIMM memory up to 2 GB
- Support dual PCIe Mini card/PCI slot for expansion
- Dual LVDS support dual display output
- CF socket for storage expansion
- TPM support
- IEI One Key Recovery solution allows you to create rapid OS backup and recovery

## Specifications

- ◆ CPU: Intel® Atom™ N270 (1.6GHz, single-core, 512KB cache)
- ◆ Chipset: Intel® 945GSE+ICH7M
- ◆ BIOS: AMI BIOS
- ◆ Memory: One 200-pin 400/533 MHz DDR2 SDRAM SO-DIMM supports up to 2 GB
- ◆ Ethernet: Dual LAN: Realtek PCIe 8111CP GbE controller
- ◆ Graphics: Intel® Graphics Media Accelerator 950
- ◆ Internal I/O Interface: 1 x IDE, 1 x KB/MS (1x6 pin), 1 x LPT (2x13 pin, P=2.0), 3 x RS-232 (2x5 pin, P=2.0), 1 x RS-232/422/485 (2x5 pin, P=2.0), 2 x SATA 3Gb/s with 5V SATA power connector (no RAID), 6 x USB 2.0 (2x4 pin, P=2.0)
- ◆ Expansion: 1 x PC/104+ (ISA+PCI bus), 2 x Full-size PCIe Mini card slot, 1 x PCI
- ◆ Digital I/O: 1 x 8-bit digital I/O (2x5 pin)
- ◆ Infrared Interface: 1 x Infrared interface (1x5 pin)
- ◆ Super IO: ITE IT8718F
- ◆ Display Output: VGA (up to 2048x1536@60Hz), HDTV supported by component interface
- ◆ Audio: AC'97 ALC655 codec
- ◆ SSD: CF Type II
- ◆ Watchdog Timer: Software programmable supports 1~255 sec. system reset
- ◆ TPM: 1 x TPM connector (2x10 pin)
- ◆ Power Supply: 5V only DC input; 1 x Internal power connector (1x4 pin); Support AT/ATX mode; 12V output for LCD/ system fan
- ◆ Power Consumption: 5V@3.49A (Intel® Atom™ N270 with one 533 MHz 512MB DDR2 SO-DIMM)
- ◆ Operating Temperature: 0°C ~ 60°C (32°F~140°F)
- ◆ Operating Humidity: 5% ~ 95%, non-condensing
- ◆ Dimensions: 203mm x 146mm
- ◆ Weight: GW:1000g, NW:400g

## Packing List

1 x NOVA-945GSE-R20 single board computer	
1 x Audio cable	1 x USB cable
1 x KB/MS Y cable	1 x One Key Recovery CD
1 x VGA cable	1 x Mini jumper pack
2 x SATA cable	1 x Utility CD
4 x RS-232 cable	1 x QIG

## Ordering Information

Part No.	Description
NOVA-945GSE-N270-R20	5.25" SBC, Intel® Atom™ N270 1.6GHz, 18-bit LVDS/VGA/HDTV, dual PCIe Mini, dual PCIe GbE, USB 2.0, SATA, RoHS
32102-000100-200-RS	SATA power cable, 150mm, P=5.08
32200-000009-RS	44-pin 2.5" IDE cable, 400mm, P=2.0
32200-015100-RS	LPT cable, 280mm, P=2.0
32200-833600-RS	RS-422/485 cable, 290mm, P=2.0
WMPCIE-V01-R30	802.11b/g PCIe Mini card wireless LAN module
WMUSB-V01-R20	802.11b/g USB embedded module

1 Industrial Computing Solutions

2 Video Capture Solutions

3 Industrial Computer Chassis

4 Open Frame Monitor

5 Power Supply/Peripherals

6 All-in-One System