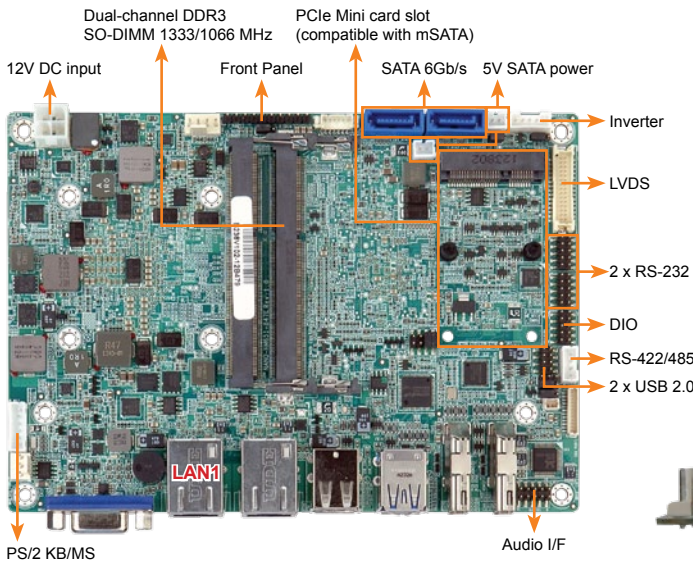


epic NANO-HM651

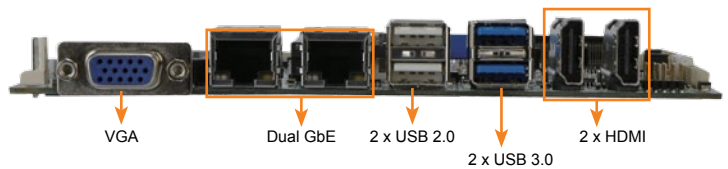
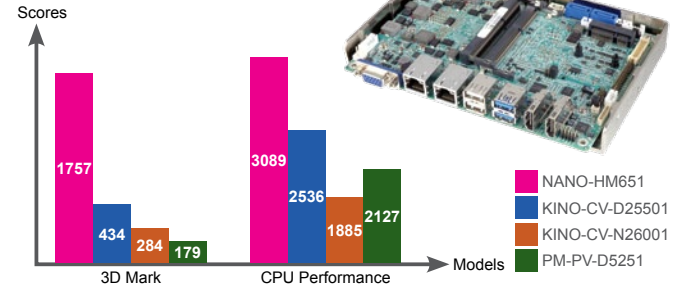
EPIC SBC Supports Intel® Celeron® Dual Core 847E 1.1GHz on-board CPU, Dual HDMI/VGA/ LVDS, Dual GbE, USB 3.0, PCIe Mini, SATA 6Gb/s and Audio



IEI provides better performance model than other low power platforms

New

The superiority of Efficient performance with low power solution by easy assembly fanless and on-board sandy bridge processor support.



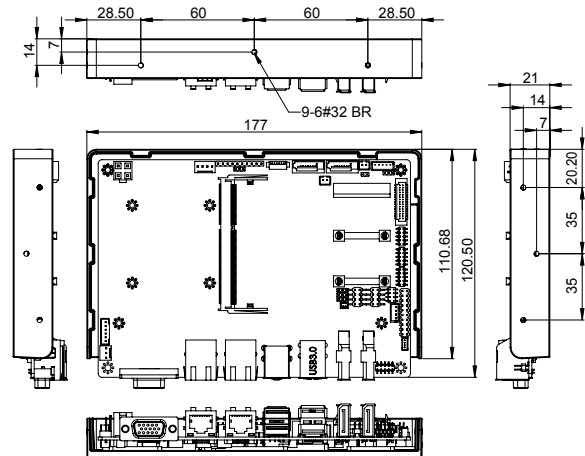
Features

1. EPIC SBC with Intel® 32nm mobile Celeron® dual core 847E 1.1GHz on-board processor
2. Dual HDMI/VGA with dual display support
3. Dual-channel 204-pin 1333/1066MHz DDR3 SO-DIMM supported up to 8GB
4. Thermal design for easy assembly by enclosure heatsink
5. Supports 3 x COM, 4 x USB 3.0, 2 x SATA 6Gb/s and audio
6. IEI One Key Recovery solution allows you to create rapid OS backup and recovery

Specifications

- ◆ CPU
Intel® Celeron® dual core processor 847E 1.1GHz
- ◆ PCH
Intel® HM65
- ◆ BIOS
UEFI BIOS
- ◆ Memory
Two 204-pin 1333/1066MHz dual-channel DDR3 SO-DIMMs supported (system max. 16GB)
- ◆ Graphics
Intel® HD Graphics Gen 6 supports DX10.1 and OpenGL 3.0
Full MPEG-2, VC1, AVC Decode
- ◆ Display Output
VGA integrated in the Intel® HM65 (up to 2048 x 1536 @75Hz)
Dual channel 24-bit LVDS integrated in the Intel® HM65 (up to 1920 x 1200 @60Hz)
Dual HDMI (up to 1920 x 1200 @60Hz)
- ◆ Ethernet
Dual PCIe LAN controller by Realtek RTL8111E with ASF 2.0 support
- ◆ Super I/O
Fintek F81866
- ◆ I/O Interface
2 x RS-232
2 x USB 3.0 (2 on rear)
1 x 6-pin wafer for PS/2 KB/MS
1 x RS-422/485
4 x USB 2.0 (2 on rear, 2 by pin header)
2 x SATA 6Gb/s with SATA 5V power connector
- ◆ Audio
Realtek ALC662 HD codec
- ◆ Front Panel
1 x 10-pin (1x10) header
- ◆ Expansions
1 x full-size PCIe Mini card slot with mSATA support
- ◆ Watchdog Timer
Software programmable supports 1~255 sec. system reset
- ◆ Digital I/O
8-bit digital I/O (4-bit input / 4-bit output)
- ◆ Fan Connector
1 x 4-pin CPU fan connector
1 x 3-pin system fan connector (smart fan support)
- ◆ Power Supply
12V only, AT/ATX support,
- ◆ Power Consumption
12V@3.01A (Intel® Celeron® with 1333MHz 4GB memory)
- ◆ Operating Temperature
-10°C ~ 60°C
- ◆ Operating Humidity
5% ~ 95%, non-condensing
- ◆ Dimensions
115 mm x 165 mm
- ◆ Weight
GW: 850g/NW: 350g

Dimensions (Unit: mm)



Packing List

1 x NANO-HM651 single board computer	
1 x SATA with power cable kit (P/N: 32801-000201-100-RS)	
2 x Plastic shaft for securing half-size PCIe Mini card (P/N: 43124-0010C2-01-RS)	
1 x Power cable (P/N: 32100-087100-RS)	1 x One Key Recovery CD
2 x RS-232 cable (P/N: 32200-000049-RS)	1 x Mini jumper pack
1 x Audio cable (P/N: 32000-072100-RS)	1 x Utility CD
1 x Enclosure heatsink	1 x QIG (Quick Installation Guide)

Ordering Information

Part No.	Description
NANO-HM651-847E-R10	EPIC SBC supports Intel® Celeron® dual core 847E 1.1GHz CPU, dual HDMI/VGA/LVDS, dual GbE, USB 3.0, PCIe Mini, SATA 6Gb/s and Audio
32000-070301-RS	Dual-port USB cable

1 Industrial Computing Solutions

2 Video Capture Solutions

3 Embedded Computing Solutions

4 ORing Network Communication

5 Power Supply/Peripherals

6 Panel Solutions Introduction