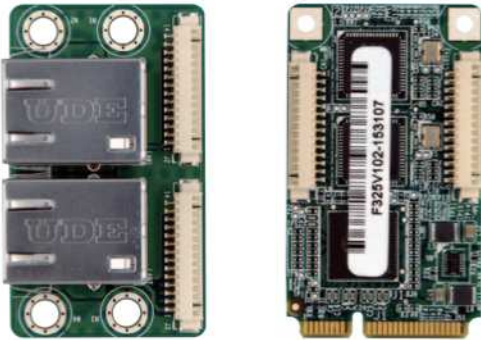


MPCIE-DLAN-R10

PCI Express Mini Dual Intel® GbE LAN module, Full size, RoHS

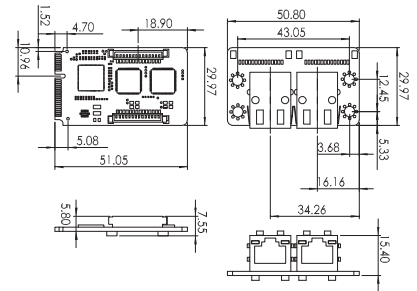
New



Specifications

- ◆ Form Factor: PCI Express mini card
- ◆ BIOS: UEFI BIOS
- ◆ Ethernet Controller IC: Dual Intel® I211-AT
- ◆ Speed: 10/100/1000Mbps
- ◆ External Connector: 2 x 8-pin RJ-45
- ◆ Power Supply: On board 3.3V
- ◆ Compatible OS
Windows XP/Server 2003/ Server 2008/ Vista/ 7 /8.1/10
Linux kernel version 2.6.32 above
- ◆ Operating Temperature: -10°C ~ 70°C
- ◆ Operating Humidity: 5% ~ 95%, non-condensing
- ◆ Dimensions (LxW) : 51 mm x 30 mm
- ◆ Weight: 55g

Dimensions (mm)



Features

1. Support dual GbE LAN by Intel® I211-AT
2. Compliant with PCI Express Mini Card specification 1.2

Packing List

1 x MPCIE-DLAN module	2 x Flat Cable (Pitch=1.25mm), 340mm length	1 x QIG
-----------------------	---	---------

Ordering Information

Part No.	Description
MPCIE-DLAN-R10	PCI Express Mini Dual Intel GbE LAN module, Full size, RoHS

MPCIE-LAN-R10

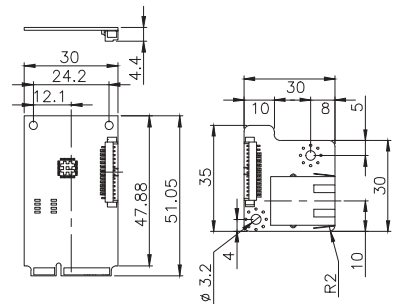
PCI Express Mini GbE LAN module, Full size, RoHS



Specifications

- ◆ Form Factor: PCI Express mini card
- ◆ Display Controller IC: Realtek RTL8111E
- ◆ Speed: 10/100/1000Mbps
- ◆ External Connector: 1 x 8-pin RJ-45
- ◆ Compatible OS
Windows 2000/ XP/ Server 2003/ Server 2008/ Vista/ 7
Linux kernel version 2.6.32 above
- ◆ Power Supply: On board 3.3V
- ◆ Operating Temperature: -10°C ~ 70°C
- ◆ Operating Humidity: 5% ~ 95%, non-condensing
- ◆ Dimensions (LxW): 51 mm x 30 mm
- ◆ Weight: 70g

Dimensions (mm)



Features

1. Support one GbE LAN by RTL8111E
2. Compliant with PCI Express Mini Card specification 1.2

Packing List

1 x MPCIE-LAN module	1 x Flat Cable (Pitch=1.25mm), 340mm length	1 x QIG
----------------------	---	---------

Ordering Information

Part No.	Description
MPCIE-LAN-R10	PCI Express Mini GbE LAN module, Full size, RoHS

MPCIE-3G-R10

PCI Express Mini 3G adapter card, RoHS



Specifications

- ◆ Form Factor
PCI Express Mini card
Antenna 50Ohms, Main GSM/UMTS antenna
- ◆ USB
USB 2.0 High Speed (480Mbit/s) device interface,
Full Speed (12Mbit/s)
- ◆ Compatible OS
Windows® XP/Vista/7/8
Linux kernel version 2.4.31 above
- ◆ Operating Temperature
Normal operation: -30°C to +85°C
Restricted operation: -40°C to +95°C
- ◆ Dimensions (W x D x H)
50.95 mm x 30 mm x 4.75 mm
- ◆ Frequency bands
GSM/GPRS/EDGE: Dual band GSM 900/1800MHz
UMTS/HSPA+: Dual band UMTS 900/2100MHz

Packing List

1 x PCI Express Mini 3G adapter card

Ordering Information

Part No.	Description
MPCIE-3G-R10	PCI Express Mini 3G adapter card, RoHS
32501-000705-100-RS	RF Antenna cable
32503-000100-100-RS	GSM Antenna cable

Features

1. Real time clock: Timer functions via AT commands
2. Phonebook: SIM and phone
3. TTY/CTM support: Integrated CTM modem