

MODAT - 335

Field Service Terminal

- 3.5" TFT sunlight readable LCD touch screen
- Marvell® PXA 310 624MHz CPU
- Built-in Windows® Mobile 6.5 OS
- Wi-Fi, Bluetooth and WCDMA/HSDPA or GPRS wireless technology
- Built-in GPS
- 1D Laser/2D Imager Scan Engine and ISO 15639/14443A RFID reader
- 3 Megapixels camera with LED flash
- Optional Handle Grip and UHF Reader



Field Service Application

The MODAT-335 is a highly integrated terminal designed for the mobile field service workforce. Benefits include:

- Fleet and inventory tracking
- Access to detailed customer and asset records
- Automated service order dispatch
- Remote update of work status
- Capture customer and asset data easily
- Create notifications and service orders on the spot



Capture and Record



Track and Locate

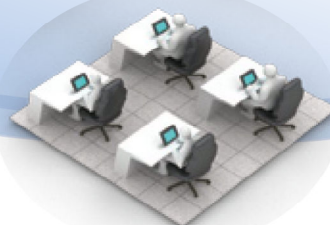


Access and Update



Out-field

WWAN
(GPRS/3G/ HSDPA/WIMAX)



Advanced Data Acquisition Technology



1D/2D Image Barcode Scan Engine



The built-in 1D/2D barcode scanner features a high quality reading function and advanced image capture capabilities suitable for technicians to identify and record information in the field.

Built-in 13.56 MHz RFID Reader



Compliant with ISO15693 and 14443A, the built-in RFID reader automates data capture. The RFID field service application reduces the number of parts required on a service vehicle, eliminate manual data entry, and improve productivity and customer service.

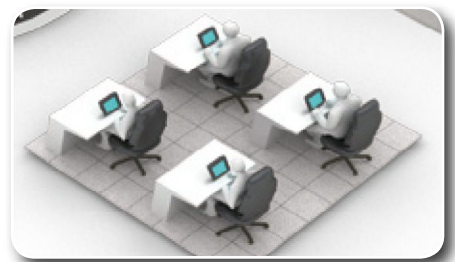
3 Megapixels CMOS Camera



The 3 megapixels camera features a CMOS sensor and a 2064V x 1552H resolution. The camera is perfect for technicians to capture images while working in the field.

Seamless / Wireless Communication

The MODAT-335 keeps field workers connected through a built-in 3.5G modem and a 802.11 b/g wireless LAN module and Bluetooth. With these technologies, the mobile workforce stays connected to back-offices in order to verify and obtain information, update work status and dispatch jobs in real-time.



Local-Area Communication



It gives you up to broadband-speed browsing and connectivity, compared to traditional wired LAN. insert a space Best for near field or ad-hoc data communications.

- Compliant with IEEE 802.11b/g
- Auto fallback optimal data rate
- Security: WPA/WPA2, 802.11i AES /CCMP, WEP with TKIP
- Hardware signaling BT/Wi-Fi co-existence supported

Peripheral Communication



- Compliant with Bluetooth specification V1.2.
- Profile: SPP, HFP, HSP
- Up to 1 Mbps data transfer rate and 10 M distance

Wide-Area Mobile Communication



- UMTS/HSDPA: Triple band, 850//1900/2100 MHz
- GSM/GPRS/EDGE: Quad band, 850/900/1800/1900 MHz

Built-in GPS

Together with wireless technologies such as 3G, the built-in GPS allows for accurate location and tracking of users. This feature has two important implications:



- Users can be located on a map to reference his/her own location in relation to other landmarks. With location-based and map services, mobile workers can locate important destinations such as gas stations and customers in an unknown territory.

- Location information obtained from the GPS can be transmitted to the backend office through wireless broadband connectivity, allowing employees to be tracked while they are on the move. This makes dispatch work more efficient as mobile workers can be assigned jobs according to their proximity to customers.

Semi-Rugged Design

The MODAT-335 is a mobile field service terminal specifically designed to meet out-field conditions, with the following taken into consideration:

- The ability to withstand tough outdoor conditions such as high and low operating and storage temperatures.
- The ability to endure rough handling such as accidental drops and bumps.
- The ability to function under almost any circumstances such as moist conditions.



IP 54 Rating

- Protected against dust that would interfere with normal operation
- Protected against water splashed against the device from any direction



Sunlight Readable - 3.5" TFT LCD

Display can be read in bright sunlight



1.5 M Drop Test

Passed 1.5M drop test 26 times



Operating Temperature -10°C ~ 50°C

Can operate in a wide range of temperatures



Storage Temperature -20°C ~ 60°C

Can be stored under extreme temperatures



Advanced Optional Accessories

UHF RFID Reader

The communication frequencies used in radio frequency identification (RFID) technology range from 125KHz to 2.45GHz. The MODAT-335 features an optional ultra high frequency (UHF) reader. The MODAT-335:

- Detects a frequency range from 840MHz to 960MHz
- Allows a long reading range
- Is excellent for reading multiple tags
- Carry one 3000 mAh Battery inside
- Design 4 screws which can fix the UHF on the device



Vehicle Identification
Verify and identify vehicle transponders.



Object or Personnel Tracking
Verify job or order delivery assignment.



Multiple Item Identification
Read multiple items at once, saving time and effort.



Long Range Reading
Read tags from a long distance.

Handle Grip

The MODAT-335 features a removable handle grip which can be secured to the device whenever the user needs it. Its advantages include:

- Easy to hold and carry while reading tags
- Increased reading angles

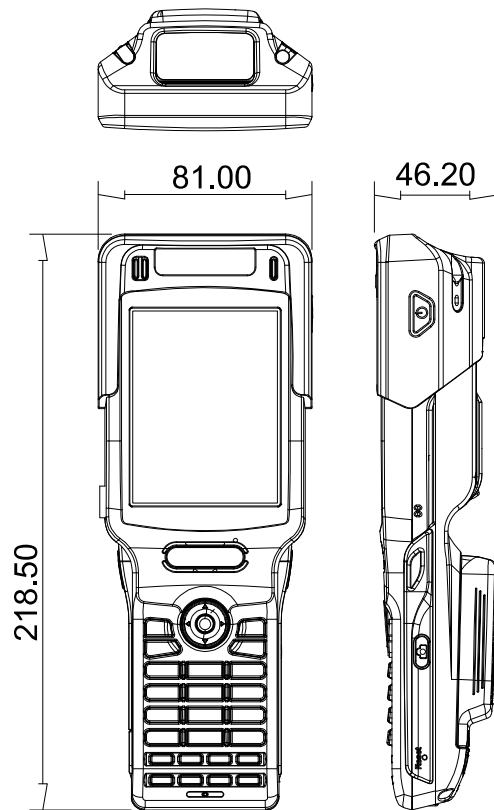
Handle Grip Installation



Specifications

Model	MODAT-335	
Display	LCD Size	3.5" TFT LCD (Sunlight Readable)
	Brightness (cd/m ²)	190 cd/m ²
	Max Resolution	240(H) x 320(V) QVGA
	Viewing Angle	80/80/80/80 Deg.
System	Touch Screen	4-wire resistive type touch
	CPU	Marvell® PXA 310 624MHz
	Operating System	Microsoft® Windows® Mobile 6.5
	Memory	256MB Flash + 256MB SDRAM
	Storage	microSD Slot
Communication	Wireless LAN	Wi-Fi 802.11 b/g/n
	Bluetooth	Bluetooth 2.1+EDR
	Modem	WCDMA/HSDPA or GPRS
	GPS	GPS w/internal antenna
Data Collection	RFID	13.56 MHz RFID support ISO 15693 and 14443A/B compliant
	UHF (optional)	EPC Global Class1 Gen2 support ISO/IEC 18000-6 Type C and at least 1m reading distance
	Barcode	1D/2D Image Scan Engine
	Camera	3 megapixels CMOS Camera with LED Flash Light
Indicators & Buttons	LED Indicators	Wi-Fi enable / disable LED (Green) 3.5G or 2.5G enable / disable LED (Green) Charging Status / Full LED (Orange / Green)
	Hot Keys	2 x Barcode Key/ 1 x Camera Key
I/O Interface	Audio	1 x Headset and 1 x Speaker
	Expansion	1 x Mini USB Client 2.0 16-Pin connector (RS-232/ Battery Charging/ USB Host / USB Client)
Power	Power input	Input: 100V AC to 240V AC ~ 50-60Hz 0.2A Output: 5V / 2.1A
	Battery	3.7V 3000 mAh battery
Environment	Operating Temperature	-10°C~50°C
	Storage Temperature	-20°C~60°C
	Humidity	5%~90% non-condensing
	Drop Survival	1.5M
	Environmental Protection	IP 54
Physical Characteristics	Certification	CE / FCC
	Dimensions (LxWxH) (mm)	218.5 x 81 x 46.2
	Weight	405g

MODAT-335 Dimensions (Unit: mm)



Optional Accessory List

Item	Part No.	Description
Cradle	MODAT-300-CR01-R10	Charging cradle with USB Client
Battery Pack	31603-000017-RS	3.7V 3000 mAh Battery
16-pin Cable	32024-001500-100-RS	Connect to USB Host, USB Client and RS-232
Handle Grip	MODAT-335-GRIP-R10	Removable handle grip can trigger 1D/2D barcode
UHF Reader	MODAT-335-UHF-R10	Ultra high frequency (UHF) reader with 3000 mAh battery.

Ordering Information

Part No.	Description
MODAT-335-WB65-En	3.5" TFT-LCD, Enterprise PDA with Marvell® PXA 310 624MHz CPU, 802.11 b/g Wireless, Bluetooth, HSDPA, GPS, 1D/2D Barcode Scanner, RFID, 3M Pixels Camera, Windows Mobile 6.5 OS, RoHS
MODAT-335-GPRS-WB65-En	3.5" TFT-LCD, Enterprise PDA with Marvell® PXA 310 624MHz CPU, 802.11 b/g Wireless, Bluetooth, GPRS/GSM, GPS, 1D Barcode Scanner, RFID, 3M Pixels Camera, Windows Mobile 6.5 OS, RoHS
MODAT-335-1D-WB65-En	3.5" TFT-LCD, Enterprise PDA with Marvell® PXA 310 624MHz CPU, 802.11 b/g Wireless, Bluetooth, 1D Barcode Scanner, 3M Pixels Camera, Windows Mobile 6.5 OS, RoHS

Packing List

Item	Part No.	Q'ty
Battery Pack	31603-000017-RS	1
USB Cable	32001-000301-100-RS	1
AC-DC Adapter	63040-330010-000-RS	1
Headset	30900-000001-RS	1
Stylus	7Z000-43150003C000RS-RS	1

Support Function

Part No.	Wi-Fi	Bluetooth	Modem	GPS	Barcode	RFID	Camera
MODAT-335-WB65-En	Wi-Fi 802.11 b/g/n	Bluetooth 2.1+EDR	WCDMA/HSDPA	GPS w/internal antenna	1D/2D Image Scan Engine	13.56 MHz RFID support ISO 15693 and 14443A/B compliant	3M Pixels Camera
MODAT-335-GPRS-En	Wi-Fi 802.11 b/g/n	Bluetooth 2.1+EDR	GPRS/GSM	GPS w/internal antenna	1D Laser Scan Engine	13.56 MHz RFID support ISO 15693 and 14443A/B compliant	3M Pixels Camera
MODAT-335-1D-WB65-En	Wi-Fi 802.11 b/g/n	Bluetooth 2.1+EDR	N/A	N/A	1D Laser Scan Engine	N/A	3M Pixels Camera

