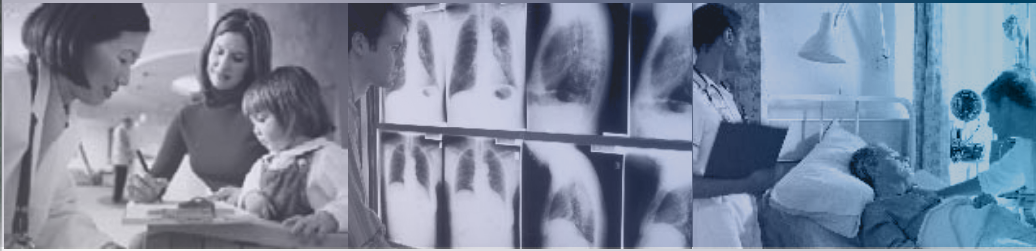




# MMD-5201M <sup>5MP</sup> 12-bit

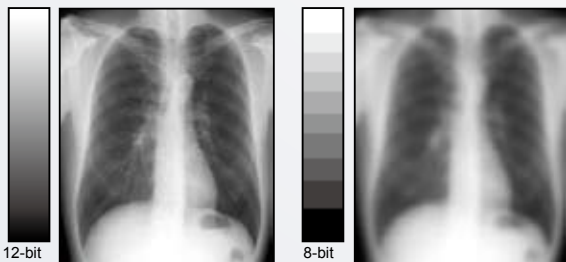
51cm(20.1") Diagnostic Grayscale Monitor



- 20.1" grayscale TFT LCD
- 5MP-2560(H) x 2048(V)
- Max. luminance: 850cd/m<sup>2</sup>  
Max. calibrated luminance: 600cd/m<sup>2</sup>
- 600:1 exceptional contrast ratio
- Out-of-box DICOM compliant
- Intelligent display mode auto adjustment with graphic card auto detection
- GrayBoost® 12-bit to 12-bit LUT provides simultaneously 4,096 tones of gray
- Ready for Deep color and HDMI™ 1.3 with GrayEasy® technology for 12-bit grayscale displaying

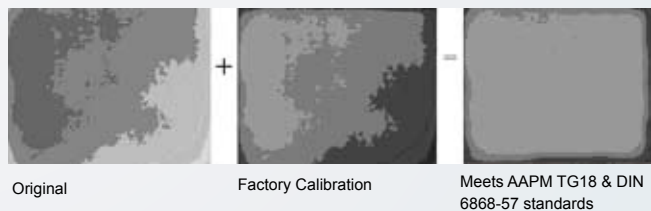
### GrayBoost® 12-bit Simultaneous Grayscale

12-bit (4096 tones) image input can be all retained in 12-bit (4096 tones) image output via built-in 12-bit LUT. The GrayBoost® technology successfully produces 12-bit image data flow through commercial dual-link graphic card, lowering total cost of ownership.



### Uniform Luminance

Uniform luminance is especially critical for diagnostic applications and PACSmate sets a high standard for the uniformity of every medical monitor. PACSmate's special testing equipment ensures every customer gets the medical monitors with best uniformity for precise diagnostic results.



### GrayEasy® HDMI™ 1.3 Grayscale Support

The GrayEasy® technology successfully produces a HDMI™ 1.3 compatible, 12-bit grayscale display system without any additional upgrade cost. The built-in 12-bit to 12-bit Look-Up-Table (LUT) for DICOM calibration ensures the quality of grayscale images.

### Display Mode Auto-Detection

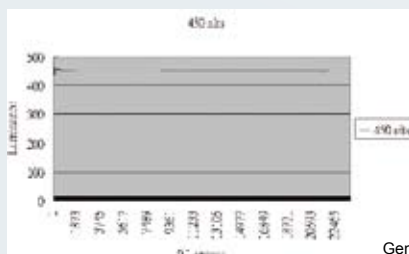
PACSmate medical monitors have built-in auto-detection technology which identifies different graphic cards automatically and self adjusts the mode fit with the specific graphic card.

### Backlight Stabilizer

The GeniGUARD® built-in backlight stabilizer integrated in PACSmate® monitors automatically calibrates the shift of LCD brightness caused by startup drift, ambient temperature and backlight aging.

### Smart Thermal Control system

PACSmate 5MP monochrome displays featuring the smart thermal control system, automatically protect the display from overheating to extend the LCD life. The PACSmate series monitors are also equipped with smart alert system to keep users informed when abnormal operations of the monitor are detected.



GeniGUARD® Backlight Stabilizer

### Customer Assurance

PACSmate series are applied to the following safety standards, including UL 60601-1, CE (EN 60601-1-2), FCC Part 18, TÜV GM, VCCI, BSMI and CCC.

## Smart Software OSD

The smartOSD is an intelligent and easy to use proprietary On-Screen Display (OSD) software especially designed for the PACSmate display monitors. It delivers excellent performance and flexibility over hardware OSD solutions in the monitor unit. Users can adjust the monitor with the smartOSD in a Windows® environment from the remote system instead of adjustment from front panel.

The smartOSD allows some functions as below :

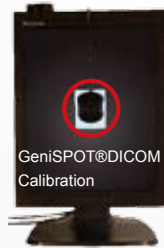
- Power on/off
- Luminance selection
- Graphic card mode selection
- GrayBoost® on/off
- DICOM Look-Up-Table selection
- Monitor Information

## GeniSPOT® & GeniPASS® QC Solution

Packed in every PACSmate monitor, the GeniSPOT® 3-in-1 calibration system and GeniPASS® QC utility ensures the display conforms with AAPM, DIN, JIS and IEC standards all the time.

Functions:

- Luminance testing
- DICOM calibration
- Luminance auto-dimming
- GeniSPOT® self-diagnosis
- Five-point testing of uniformity



## Ergonomic Design

Narrow bezels enable seamless side-by-side viewing for diagnostic applications.

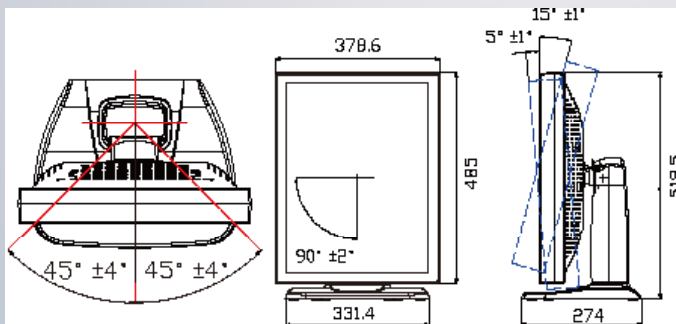


## Pairing Monitors

PACSmate provides a pair matching service for dual-head display applications, allowing image comparison for diagnostic practices.



## Dimensions



## Specifications

PACSmate® Model	MMD-5201M
Drive System	a-Si TFT active matrix
Display area (H x V)	399.4mm x 319.5 mm
Diagonal size of display	51cm (20.1 inches)
Resolution (H x V)	2560 x 2048
Pixel pitch (H x V)	0.156mm x 0.156 mm
Sub-pixel pitch (H x V)	0.052mm x 0.156 mm
Pixel format	1 pixel consists of 3 sub-pixels, LCR vertical stripe
Luminance-max.	850cd/m <sup>2</sup>
Max. luminance (calibrated)	600cd/m <sup>2</sup>
White chromaticity	Wx, Wy=(0.280, 0.304) (typical)
Contrast ratio	600:1 (typical)
Viewing angle	Right 85°, Left 85°, Up 85°, Down 85° (10:1 contrast)
Response time (Ton + Toff)	30ms (typical)
Polarizer surface/ hardness	Antiglare/ 2H
Backlight	12 CCFL
Default gamma	DICOM
Grayscale	Simultaneous 12-bit
LUT	12-bit input to 12-bit output
Signal input	Dual link DVI-D (digital)
USB 2.0 hub	1 upstream/ 2 downstream
Membrane keypad	Yes
Power adapter	100VAC - 240VAC
Input voltage range	
Power adapter	
Input frequency range	47Hz-63Hz
Power adapter	
Input AC current	1.25A-0.5A
Power adapter	
Power output	12VDC, 8.33A, 100W (max)
Physical dimensions (H x W x D)	With stand: 520mm x 380mm x 274mm (portrait) Without stand: 485mm x 380mm x 100mm (portrait)
Adjustable height range (with stand)	Portrait: 520mm~590 mm Landscape: 465mm~535 mm
Weight (with stand)	13kg
Operating temperature	10°C~35°C
Storage temperature	0°C~45°C
Operation relative humidity	30% ~75% Non-condensing
Storage/ Transportation Relative humidity	10% ~95% Non-condensing

## Packing List

PACSmate® Series medical LCD monitor
Monitor stand
Power Cord (US x 1, EU x 1)
Power Adapter
Dual-link DVI-D Signal Cable
USB Cable
GeniSPOT® USB Calibrator
Utility CD-ROM (for user's manual, software utility, and GeniPASS® QC software)

## Ordering information

Part No.	Description
MMD-5201M <b>5MP</b>	5 megapixel, 20.1" monochrome LCD monitor includes GeniSPOT® and GeniPASS® calibration kit