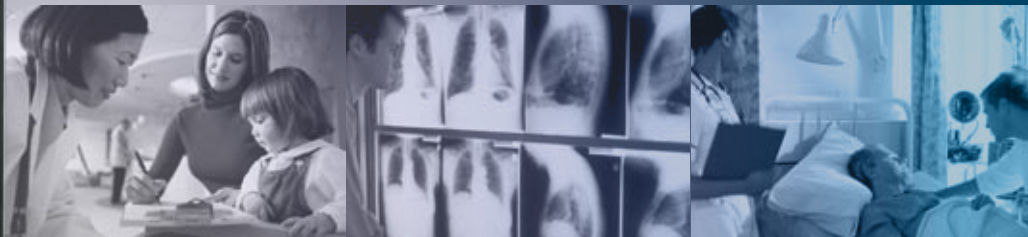




MMD-3213CH ^{3MP}

21.3", 3MP diagnostic color display ^{30-bit}

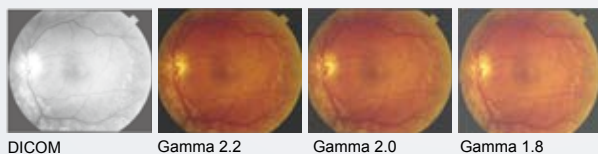


- 21.3" color TFT LCD
- 3MP-2048(H) x 1536(V)
- Max. luminance: 800cd/m²
Max. calibrated luminance: 550cd/m²
- 750:1 exceptional contrast ratio
- Selectable Gamma 1.8,2.0,2.2 calibration
- GeniGUARD® backlight stabilizing system
- Ready for Deep color and HDMI™ 1.3 with GrayEasy® technology and 30-bit color dithering
- Intelligent color-to-gray conversion for grayscale applications

 Super High Brightness

User Selectable Gamma Settings

PACSmate's color medical display can be adjusted with Gamma 1.8,2.0,2.2, DICOM and user settings for different brightness conditions to achieve the optimal display quality for images from different modalities.



GrayEasy® 30-bit Deep Color

30-bit color image (10-bit for each RGB element) can be displayed on PACSmate monitors without any image loss. Through the unique GrayEasy® technology, there's no need to replace the monitors for future HDMI™ 1.3 supported deep color display capabilities.

Uniform Luminance

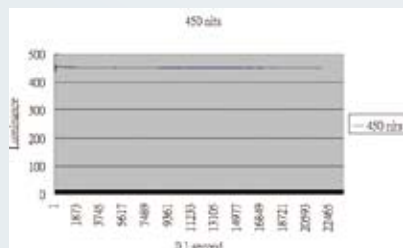
Uniform luminance is especially critical for diagnostic applications and PACSmate sets a high standard for the uniformity of every medical monitor. PACSmate's special testing equipment ensures every customer gets the medical monitors with best uniformity for precise diagnostic results.



Original Factory Calibration Meets AAPM TG18 & DIN 6868-57 standards

Backlight Stabilizer

The GeniGUARD® built-in backlight stabilizer integrated in PACSmate monitors automatically calibrates the shift of LCD brightness caused by startup drift, ambient temperature and backlight aging.



GeniGUARD® Backlight Stabilizer

Customer Assurance

PACSmate series are applied to the following safety standards, including UL 60601-1, CE (EN 60601-1-2), FCC Class B, TÜV GM, VCCI, BSMI and CCC.

Smart Software OSD

The smartOSD is an intelligent and easy to use proprietary On-Screen Display (OSD) software especially designed for the PACSmate display monitors. It delivers excellent performance and flexibility over hardware OSD solutions in the monitor unit. Users can adjust the monitor with the smartOSD in a Windows® environment from the remote system instead of adjustment from front panel.

The smartOSD allows some functions as below :

- Power on/off
- Luminance selection
- Graphic card mode selection
- GrayEasy® on/off
- DICOM Look-Up-Table selection
- Monitor Information

Pairing Monitors

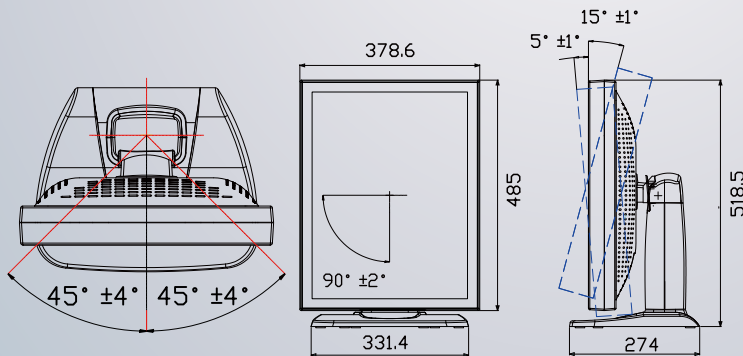
PACSmate provides a pair matching service for dual-head display applications, allowing image comparison for diagnostic practices.

Ergonomic Design

Narrow bezels enable seamless side-by-side viewing for diagnostic applications.



Dimensions



Specifications

PACSmate®	MMD-3213CH
Drive System	a-Si TFT active matrix
Display area (H x V)	433.2mm x 324.9 mm
Diagonal size of display	54cm (21.3 inches)
Resolution (H x V)	2048 x 1536
Pixel pitch (H x V)	0.2115mm x 0.2115 mm
Sub-pixel pitch (H x V)	0.0705mm x 0.2115 mm
Pixel format	RGB (Red dot, Green dot, Blue dot) vertical stripe
Luminance-max.	800cd/m ²
Max. Luminance (calibrated)	550cd/m ²
Contrast ratio	750:1 (typical)
Viewing angle	170° (H) / 170° (V) (10:1 contrast)
Response time (Ton + Toff)	24ms (typical)
Polarizer surface/ hardness	Antiglare/ 2H
Backlight	16 CCFL
Default gamma	Gamma 2.2
LUT	10-bit for each RGB
Signal input	Dual link DVI-D (digital)
USB 2.0 hub	1 upstream/ 2 downstream
Membrane keypad	Yes
Power adapter Input voltage range	100VAC-240VAC
Power adapter Input frequency range	50Hz-60Hz
Power adapter Input AC current	1.0A-2.0A
Power adapter Power output	24VDC, 4.6A, 110W (max)
Physical dimensions (H x W x D)	With stand: 520mm x 380mm x 274 mm (portrait) Without stand: 485mm x 380mm x 100 mm (portrait)
Adjustable height range (with stand)	Portrait: 520mm ~590 mm Landscape: 465mm ~ 535 mm
Weight (with stand)	13.2kg
Operating temperature	10°C~35°C
Storage temperature	0°C~45°C
Operation relative humidity	30% ~75% Non-condensing
Storage/ Transportation Relative humidity	10% ~95% Non-condensing

Packing List

PACSmate® Series medical LCD monitor
Monitor stand
Power Cord (US x 1, EU x 1)
Power Adapter
Dual-link DVI-D Signal Cable
USB Cable
Utility CD-ROM (for user's manual and software utility)

Ordering information

Part No.	Description
MMD-3213CH 3MP	3 megapixel, 21.3" color LCD monitor