



# MMD-2213CH <sup>2MP</sup>

21.3", 2MP diagnostic color display

**30-bit**

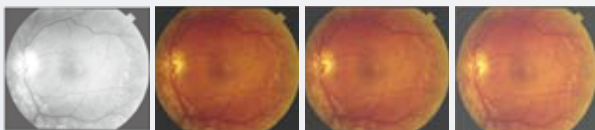


 Super High Brightness

- 21.3" color TFT LCD
- 2MP-1600(H) x 1200(V)
- Max. luminance: 950cd/m<sup>2</sup>  
Max. calibrated luminance: 500cd/m<sup>2</sup>
- 900:1 exceptional contrast ratio
- Selectable Gamma 1.8,2.0,2.2 calibration
- Ready for Deep color and HDMI™ 1.3 with GrayEasy® technology and 30-bit color dithering
- Intelligent color-to-gray conversion for grayscale applications

## User Selectable Gamma Settings

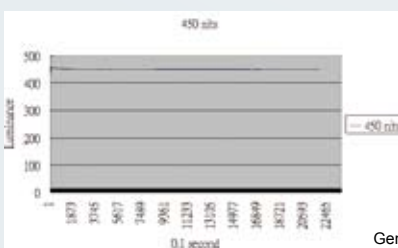
PACSmate's color medical display can be adjusted with Gamma 1.8,2.0,2.2, DICOM and user settings for different brightness conditions to achieve the optimal display quality for images from different modalities.



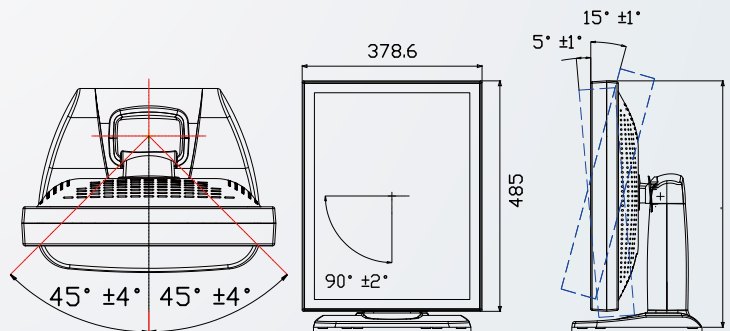
DICOM      Gamma 2.2      Gamma 2.0      Gamma 1.8

## Backlight Stabilizer

The GeniGUARD® built-in backlight stabilizer integrated in PACSmate™ monitors automatically calibrates the shift of LCD brightness caused by startup drift, ambient temperature and backlight aging.



GeniGUARD® Backlight Stabilizer



## GrayEasy® 30-bit Deep Color

30-bit color image (10-bit for each RGB element) can be displayed on PACSmate monitors without any image loss. Through the unique GrayEasy® technology, there's no need to replace the monitors for future HDMI™ 1.3 supported deep color display capabilities.

## Uniform Luminance

Uniform luminance is especially critical for diagnostic applications and PACSmate sets a high standard for the uniformity of every medical monitor. The special testing equipment ensures every customer gets the medical monitors with best uniformity for precise diagnostic results.



Original

Factory Calibration

Meets AAPM TG18 & DIN 6868-57 standards

### Smart Software OSD

The smartOSD is an intelligent and easy to use proprietary On-Screen Display (OSD) software especially designed for the PACSmate display monitors. It delivers excellent performance and flexibility over hardware OSD solutions in the monitor unit. Users can adjust the monitor with the smartOSD in a Windows® environment from the remote system instead of adjustment from front panel.

The smartOSD allows some functions as below :

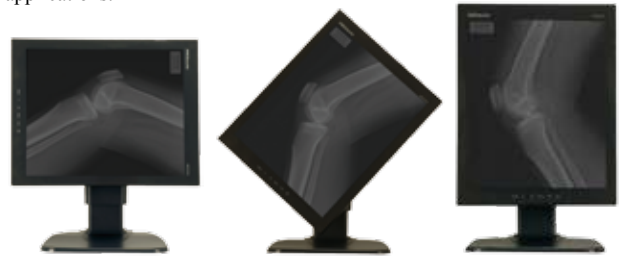
- Power on/off
- Luminance selection
- Graphic card mode selection
- GrayEasy® on/off
- DICOM Look-Up-Table selection
- Monitor Information

### Pairing Monitors

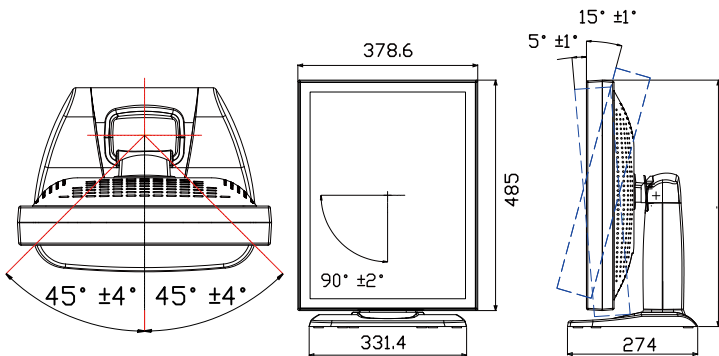
PACSmate provides a pair matching service for dual-head display applications, allowing image comparison for diagnostic practices.

### Ergonomic Design

Narrow bezels enable seamless side-by-side viewing for diagnostic applications.



### Dimensions



### Specifications

|   |   |
|---|---|
| PACSmate®                                 | MMD-2213CH  |
| Drive System                              | a-Si TFT active matrix  |
| Display area (H x V)                      | 432mm x 324 mm  |
| Diagonal size of display                  | 54cm (21.3 inches)  |
| Resolution (H x V)                        | 1600 x 1200   |
| Pixel pitch (H x V)                       | 0.270mm x 0.270 mm  |
| Sub-pixel pitch (H x V)                   | 0.090mm x 0.270 mm  |
| Pixel format                              | RGB (Red dot, Green dot, Blue dot) vertical stripe  |
| Luminance-max.                            | 950cd/m <sup>2</sup>  |
| Max. Luminance (calibrated)               | 550cd/m <sup>2</sup>  |
| Contrast ratio                            | 900:1 (typical)   |
| Viewing angle                             | Right 85°, Left 85°, Up 85°, Down 85° (10:1 contrast)   |
| Response time (Ton + Toff)                | 50ms (typical)  |
| Polarizer surface/ hardness               | Antiglare/ 3H   |
| Backlight                                 | 16 CCFL   |
| Default gamma                             | Gamma 2.2   |
| LUT                                       | 10-bit for each RGB   |
| Signal input                              | Single link DVI-D (digital)   |
| USB 2.0 hub                               | 1 upstream/ 2 downstream  |
| Membrane keypad                           | Yes   |
| Power adapter Input voltage range         | 100VAC-240VAC   |
| Power adapter Input frequency range       | 50Hz-60Hz   |
| Power adapter Input AC current            | 1.0A- 2.0A  |
| Power adapter Power output                | 24VDC, 4.6A, 110W (max)   |
| Physical dimensions (H x W x D)           | With stand: 520mm x 380mm x 274 mm (portrait)<br>Without stand: 485mm x 380mm x 100 mm (portrait) |
| Adjustable height range (with stand)      | Portrait: 520mm ~590 mm<br>Landscape: 465mm ~ 535 mm  |
| Operating temperature                     | 10°C~35°C   |
| Storage temperature                       | 0°C~45°C  |
| Operation relative humidity               | 30% ~75% Non-condensing   |
| Storage/ Transportation Relative humidity | 10% ~95% Non-condensing   |

### Packing List

|  |
|--|
| PACSmate® Series medical LCD monitor                       |
| Monitor stand  |
| Power Cord (US x 1, EU x 1)                                |
| Power Adapter  |
| Dual-link DVI-D Signal Cable                               |
| USB Cable  |
| Utility CD-ROM<br>(for user's manual and software utility) |

### Ordering information

| Part No.                 | Description                          |
|--------------------------|--------------------------------------|
| MMD-2213CH<br><b>2MP</b> | 2 megapixel, 21.3" color LCD monitor |