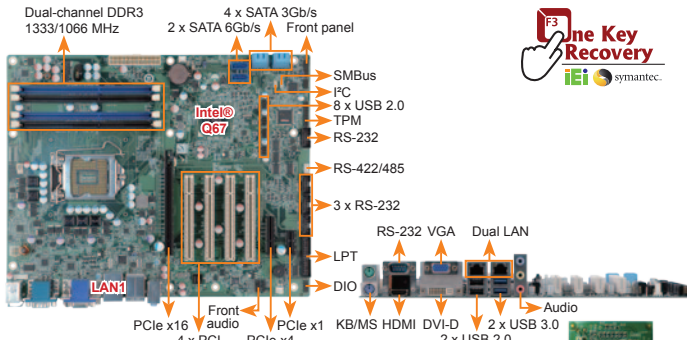


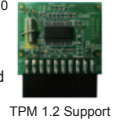
# IMBA-Q670-R30

ATX motherboard supports LGA1155 Intel® Core™ i7/i5/i3/Pentium®/Celeron® CPU with Intel® Q67, DDR3, VGA/DVI-D/HDMI, dual Intel® PCIe GbE, USB 3.0, SATA 6Gb/s, HD Audio and RoHS



## Features

- LGA1155 Intel® Core™ i7/i5/i3/Pentium®/Celeron® processor supported
- Up to 32 GB 1333 MHz dual-channel DDR3 SDRAM
- Intel® PCIe GbE with Intel® AMT 7.0 support
- USB 3.0 and SATA 6Gb/s supported
- IEI One Key Recovery solution allows you to create rapid OS backup and recovery



## Specifications

- ◆ CPU  
LGA1155 socket supports Intel® Core™ i7/i5/i3/Pentium®/Celeron® processor
- ◆ System Chipset: Intel® Q67
- ◆ Memory  
Four 240-pin 1333/1066 MHz dual-channel unbuffered DDR3 SDRAM DIMM supported (system max. 32 GB)
- ◆ BIOS: UEFI BIOS
- ◆ Ethernet  
LAN1: Intel® 82583V PCIe controller  
LAN2: Intel® 82579 PHY with Intel® AMT 7.0 supported
- ◆ Graphics Engine  
Support for DX10.1 and OpenGL3.0  
Full MPEG2, VC1, AVC Decode
- ◆ Display Output  
Dual display supported  
1 x VGA  
1 x HDMI  
1 x DVI-D
- ◆ Audio  
Realtek ALC662 HD Audio codec (line-in, line-out, mic) (2x5 pin)
- ◆ TPM: 1 x TPM connector (2x10 pin)
- ◆ SMBus: 1 x SMBus (1x4 pin)
- ◆ PC: 1 x PC (1x4 pin)
- ◆ Digital I/O: 8-bit digital I/O (2x5 pin)
- ◆ External I/O Interface  
1 x KB/MS 2 x USB 2.0  
1 x RS-232 2 x USB 3.0
- ◆ Internal I/O Interface  
1 x KB/MS (1x6 pin) 1 x LPT (2x13 pin, P=2.54)  
1 x RS-422/485 (1x4 pin, P=2.00)  
4 x RS-232 (2x5 pin, P=2.54)  
2 x SATA 6Gb/s with RAID 0/1/5/10 support  
4 x SATA 3Gb/s with RAID 0/1/5/10 Support  
8 x USB 2.0 (2x4 pin, P=2.54)
- ◆ Expansion  
1 x PCIe x16 slot 1 x PCIe x1 slot  
1 x PCIe x4 slot 4 x PCI slots
- ◆ Watchdog Timer  
Software programmable supports 1~255 sec. system reset
- ◆ Fan Connector  
1 x CPU smart fan (1x4 pin)  
2 x System fan (1x3 pin)
- ◆ Power Supply: ATX/AT power supply
- ◆ Power Consumption  
3.3V@1.65A, 5V@6.31A, 12V@0.18A, Vcore@7.88A, 5VSb@0.15 (Intel® Core™ i5-2400 3.10GHz CPU with four 4 GB 1333 MHz DDR3 memory)
- ◆ Operating Temperature: -10°C ~ 60°C
- ◆ Storage Temperature: -20°C ~ 70°C
- ◆ Operating Humidity: 5% ~ 95%, non-condensing
- ◆ Dimensions: 244mm x 305mm
- ◆ Weight: GW:1200g, NW: 700g

## Packing List

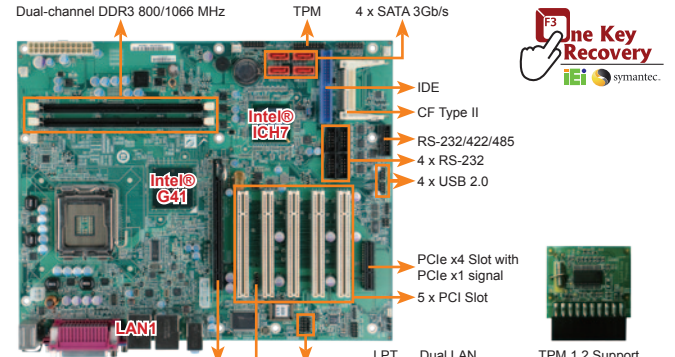
1 x IMBA-Q670 single board computer	
1 x I/O shielding	1 x Mini jumper pack
4 x SATA cable	1 x Utility CD
1 x One Key Recovery CD	1 x QIG

## Ordering Information

Part No.	Description
IMBA-Q670-R30	ATX motherboard supports LGA1155 Intel® Core™ i7/i5/i3/Pentium®/Celeron® CPU with Intel® Q67, DDR3, VGA/DVI-D/HDMI, dual Intel® PCIe GbE, USB 3.0, SATA 6Gb/s, HD Audio and RoHS
19800-000049-RS	LPT cable
19800-000051-RS	RS-232 cable, 230mm
19800-003100-300-RS	Dual-port USB cable with bracket
32102-000100-200-RS	SATA power cable
32205-003800-300-RS	RS-422/485 cable, 200mm
CF-1156A-RS-R11	High-performance LGA1155/LGA1156 cooler kit, 1U chassis compatible, 73W
CF-1156C-RS	LGA1155/LGA1156 cooler kit, 1U chassis compatible, 45W
CF-1156D-RS	LGA1155/LGA1156 cooler kit, 1U chassis compatible, 65W
CF-1156E-R11	High-performance LGA1155/LGA1156 cooler kit, 95W
CPU-DT-C-G440	Intel® Celeron® G440 processor, LGA1155, single core 1.6GHz, 1M cache, 35W, compatible with CF-1156C-RS CPU cooler
CPU-DT-i3-2120T	Intel® Core™ i3-2120T processor, LGA1155, dual core 2.6GHz, 3M cache, 35W, compatible with CF-1156C-RS CPU cooler
CPU-DT-i5-2390T	Intel® Core™ i5-2390T processor, LGA1155, dual core 2.7GHz, 3M cache, 35W, AMT, compatible with CF-1156C-RS CPU cooler
CPU-DT-i5-2500T	Intel® Core™ i5-2500T processor, LGA1155, quad core 2.3GHz, 6M cache, 45W, compatible with CF-1156C-RS CPU cooler
CPU-DT-P-G630T	Intel® Pentium® G630T processor, LGA1155, dual core 2.3GHz, 3M cache, 35W, compatible with CF-1156C-RS CPU cooler
TPM-IN01-R11	20-pin Infineon TPM module, software management tool, firmware v3.17

# IMBA-G410-R20

ATX motherboard supports LGA775 Intel® Core™2 Duo/Quad processor with 1333 MHz FSB, including VGA, dual PCIe GbE, USB 2.0, COM, CF, SATA 3Gb/s and audio, RoHS



## Features

- Support Intel® Core™2 Quad/Core™2 Duo/Pentium®4/Celeron® processor
- Dual-channel 1066 MHz DDR3 supports up to 8 GB
- Intel® GMA X4500 delivers an excellent blend of graphics performance
- TPM V1.2 hardware security function supported by TPM module
- IEI One Key Recovery solution allows you to create rapid OS backup and recovery

## Specifications

- ◆ CPU  
LGA775 45nm Intel® Core™2 Quad, Core™2 Duo, Pentium® D, Celeron® processors at FSB 800/1066/1333 MHz
- ◆ System Chipset: Intel® G41+ICH7
- ◆ Memory  
Two 240-pin 4 GB (max.) 800/1066 MHz dual-channel DDR3 SDRAM DIMM supported (system max. 8 GB)
- ◆ BIOS: AMI BIOS
- ◆ Ethernet  
LAN1: Realtek RTL8111E PCIe GbE controller with ASF 2.0 support  
LAN2: Realtek RTL8111E PCIe GbE controller
- ◆ Display Interface  
Intel® GMA X4500  
Supports DirectX 10/OpenGL 1.5  
VGA display supports analog CRT up to 2048x1536@75 MHz
- ◆ Audio: Realtek ALC888 HD Audio codec
- ◆ TPM: 1 x TPM connector (2x10 pin)
- ◆ Infrared Interface: 1 x Infrared (1x5 pin)
- ◆ Digital I/O: 8-bit digital I/O (2x5 pin)
- ◆ External I/O Interface  
1 x KB/MS 1 x RS-232  
1 x LPT 4 x USB 2.0
- ◆ Internal I/O Interface  
1 x CF TypeII 1 x PS/2  
1 x RS-232/422/485 with auto flow control (2x5 pin, P=2.54)  
4 x RS-232 (2x5 pin, P=2.54)  
4 x SATA 3Gb/s  
4 x USB 2.0 (2x4 pin, P=2.54)
- ◆ Expansion  
1 x PCIe x16 slot (supports PCIe x1/x16 add-on card and SDVO card)  
1 x PCIe x4 slot (with x1 signal)  
5 x PCI slot
- ◆ Watchdog Timer  
Software programmable supports 1~255 sec. system reset
- ◆ Fan Connector  
1 x CPU smart fan (1x4 pin)  
3 x System fan (1x3 pin)
- ◆ Power Supply: ATX power supply
- ◆ Power Consumption  
12V@4.80A, -12V@0.06A, 5V@5.45A, 3.3V@0.16A (Intel® Q9550 2.83GHz with 2 GB 1333 MHz DDR3 memory)
- ◆ Operating Temperature: -10°C ~ 60°C
- ◆ Storage Temperature: -20°C ~ 70°C
- ◆ Operating Humidity: 5% ~ 95%, non-condensing
- ◆ Dimensions: 244mm x 305mm
- ◆ Weight: GW:1200g/NW: 650g

## Packing List

1 x IMBA-G410 single board computer	1 x Mini jumper pack
1 x I/O shielding	1 x One Key Recovery CD
2 x Dual RS-232 cable	1 x QIG
2 x SATA cable	1 x Utility CD
1 x One Key Recovery CD	1 x QIG

## Ordering Information

Part No.	Description
IMBA-G410-R20	ATX motherboard supports Intel® LGA775 Core™2 Duo/Quad processor with 1333 MHz FSB, VGA, PCIe x16, PCIe x4 (x1 signal), PCI, dual PCIe GbE, USB 2.0, COM, CF, SATA 3Gb/s and audio, RoHS
19800-000100-200-RS	Quad-port USB cable with bracket
19800-003100-300-RS	Dual-port USB cable with bracket
19800-004400-200-RS	RS-232/422/485 cable
32102-000100-200-RS	SATA power cable
32225-002000-200-RS	IDE cable
CF-520-RS-R11	CPU cooler for 115W
CF-775A-RS	CPU cooler for 130W
CF-775B-RS-R11	1U CPU cooler for 90W
SDVO-100DVI-R10	PCIe x16 DVI Output SDVO card supports dual display (IEI CPU board only)
SDVO-100VGA-R10	PCIe x16 VGA Output SDVO card supports dual display (IEI CPU board only)
TPM-IN01-R11	20-pin Infineon TPM module, software management tool, firmware v3.17