

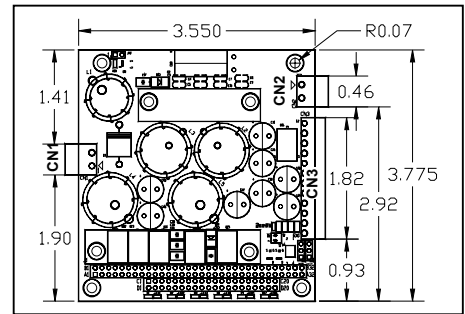
# PM-P005 PC/104 60 W DC to DC Converter Module



## Features

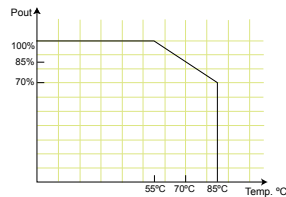
1. High efficiency up to 90%
2. Over voltage protection
3. Over current protection
4. Input power protection
5. Short circuit protection
6. Low quiescent current
7. Low EMI & RFI
8. RoHS compliant
9. Remote on/off
10. AT or ATX mode
11. Non-isolated type

## Dimensions (Inches)



## Specifications

- Output (max.): 5 V@12 A, 12 V@5 A, 3.3 V@10 A & 5 VSB@1 A  
Max. total output: 60 W
- Input: 8 VDC to 36 VDC
- Performance characteristics  
Line regulation: <20 mV\*  
Load regulation: <150 mV  
Efficiency: up to 90%  
Quiescent current: <2 mA\*\*  
\* Measure on 5 V output  
\*\* The LEDs and the 5 VSB are disabled.
- Remote on/off (jumper select) signal PS\_ON control power on/off  
Active high or active low
- Dimensions: 3.775" X 3.55"
- Weight: GW: 446 g; NW: 184 g
- Operating temperature: -40°C ~ 85°C



## PIN Assignments

### Primary Input Power Terminal

|     |      |      |
|-----|------|------|
| CN1 | Pin1 | Pin2 |
|     | GND  | VIN1 |

### Secondary Input (Pass thru.)

|     |      |      |
|-----|------|------|
| CN2 | Pin1 | Pin2 |
|     | GND  | VIN2 |

### Output Power Terminal

|     |       |       |      |        |        |       |
|-----|-------|-------|------|--------|--------|-------|
| CN3 | Pin1  | Pin2  | Pin3 | Pin4   | Pin5   | Pin6  |
|     | PW_OK | PS_ON | GND  | +3.3 V | +3.3 V | +12 V |
|     | Pin7  | Pin8  | Pin9 | Pin10  | Pin11  | Pin12 |
|     | GND   | GND   | +5 V | +5 V   | 5 VSB  | GND   |

## Packing information

1 x PM-P005

1 x Manual

## Ordering Information

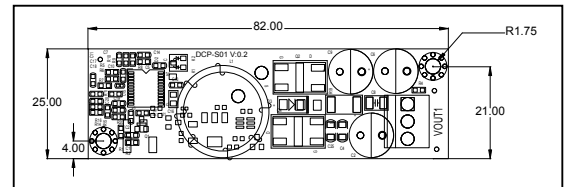
| Part No.    | Description   |
|-------------|---|
| PM-P005-R11 | 60 W DC/DC 8-36 VDC input; 12 V, 5 V, 3.3 V, 5 VSB output |

# IDD-936160 60 W DC/DC Converter Module



IDD-936160 60W DC/DC Converter Module is a high performance buck-boost switching regulator power module. The constant frequency current mode architecture allows a phaselockable frequency of up to 400kHz. With a wide 9V to 36V input and 12V output and seamless transfers between operating modes, the IDD-936160 is ideal for embedded systems with limited space.

## Dimensions (Millimeters)

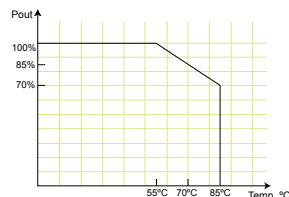


## Features

1. Wide input range: 9-36 VDC
2. 12 VDC output up to 5 Amp
3. Compact size
4. Efficiency up to 95%
5. RoHS compliant

## Specifications

- Output (max.): 12 V@5 A  
Max. total output: 60 W
- Input: 9 VDC to 36 VDC
- Performance characteristics  
Noise & ripple: <300 mV  
Line regulation: <300 mV  
Load regulation: <85 mV  
Efficiency up to 95%
- Dimensions: 82 mm x 25 mm
- Weight: NW: 28 g
- Operating temperature: -40°C ~ 85°C



## PIN Assignments

### Input/Output Connector

|       |              |      |      |
|-------|--------------|------|------|
| VOUT1 | Pin1         | Pin2 | Pin3 |
|       | +12 V Output | GND  | Vin  |



Cable P/N: 32100-124001-RS

## Packing information

|  |         |
|--|---------|
| 1 x IDD-936160                               | 1 x QIG |
| 1 x 300 mm wrie cable (P/N: 32100-124001-RS) |         |

## Ordering Information

| Part No.       | Description                          |
|----------------|--------------------------------------|
| IDD-936160-R10 | 60 W DC/DC 9~36 V input; 12 V output |