

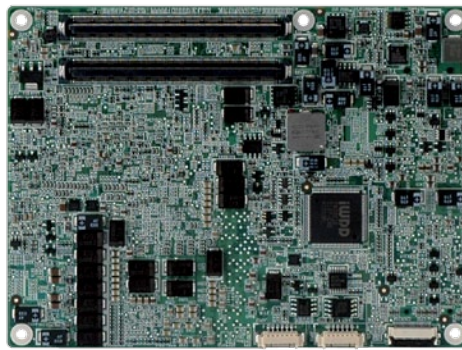
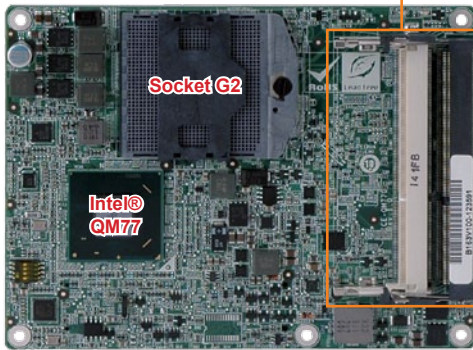
# ICE-QM770

COM Express Basic Type 6 module with socket G2 supports Intel® 2nd & 3rd generation Core™ i7/i5/i3 Celeron® processor, VGA/LVDS, DDI, GbE, SATA 6Gb/s, USB 3.0, Audio and RoHS

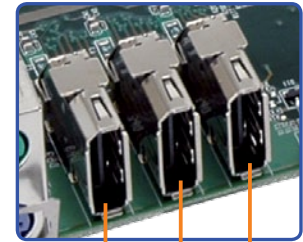
**Type 6**

**New**

Dual-Channel DDR3 1333/1066 MHz

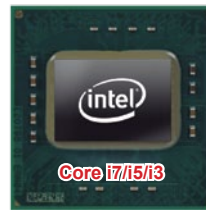


Three DDI (Digital Display Interface) by carrier board



## Specifications

- ◆ Form Factor  
PICMG COM Express R2.0 Basic Type 6
- ◆ CPU  
Socket G2 for Intel® 2nd & 3rd generation Core™ i7/i5/i3/Pentium®/Celeron® processor
- ◆ PCH  
Intel® QM77
- ◆ Memory  
Two 204-pin 1600/1333/1066 MHz dual-channel DDR3 SDRAM unbuffered DIMMs supported (system max. 16GB)  
Supports 1.35V DDR3L
- ◆ BIOS  
UEFI BIOS
- ◆ Graphics Engine  
Intel® HD Graphics 2000/3000  
Supports DX11, OCL 1.1 and OpenGL 3.0  
Full MPEG2, VC1, AVC Decode
- ◆ Display Output  
VGA integrated in the Intel® QM77 (signal to baseboard)  
3 x DDI (up to 2560 x 1600 @60Hz)  
1 x VGA up to QXGA (up to 2048 x 1536 @75Hz)  
1 x 18/24-bit dual-channel LVDS up to UXGA (up to 1920 x 1200 @60Hz)
- ◆ Ethernet  
Intel® 82579LM
- ◆ Embedded Controller  
iWDD
- ◆ I/O Interface  
2 x RS-232 (to baseboard) (3.3V)      8 x USB 2.0 (to baseboard)  
4 x USB 3.0 (to baseboard)                      2 x SATA 3GB/s (signal to baseboard)  
2 x SATA 6Gb/s (signal to baseboard)
- ◆ Audio  
High definition audio interface
- ◆ SMBus  
Yes (to baseboard)
- ◆ I2C  
YYes (to baseboard)
- ◆ LPC  
Yes (to baseboard)
- ◆ Expansions  
1 x PCIe x16 signal (to baseboard)  
7 x PCIe x1 signal (to baseboard)
- ◆ Watchdog Timer  
Software programmable supports 1~255 sec. system reset
- ◆ GPIO  
8-bit GPIO (to baseboard)
- ◆ TPM  
Through the baseboard
- ◆ Intel® AMT  
Supports Intel® AMT 8.0
- ◆ Power Consumption  
+12V@1.75A, Vcore \_12V@3.33A
- ◆ Operating Temperature  
-10°C ~ 60°C
- ◆ Operating Humidity  
5% ~ 95%, non-condensing
- ◆ Dimensions  
338 mm x 126 mm
- ◆ Weight  
GW: 700g/NW: 250g



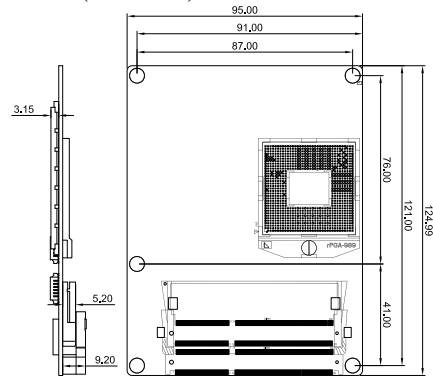
2nd & 3rd generation Intel® Core™ processors supported



## Features

1. Intel® Core™ i7/i5/i3/Celeron® processors supported
2. Intel® HD Graphics technology integrates high-performance graphics and media processing
3. 1600/1333/1066MHz dual-channel DDR3 memory supports up to 16GB
4. Supports 1.35V DDR3L
5. 18/24-bit dual-channel LVDS, analog CRT and 3 x DDI supported
6. IEI One Key Recovery solution allows you to create rapid OS backup and recovery

## Dimensions (Unit: mm)



## Packing List

1 x ICE-QM770-R10 single board computer	
1 x Heatspreader for Ivy Bridge socket type CPU (22nm)	
1 x Cooler	1 x Utility CD
1 x Driver CD	1 x QIG (Quick Installation Guide)

## Ordering Information

Part No.	Description
ICE-QM770-R10	COM Express Basic Type 6 module with socket G2 supports Intel® 2nd & 3rd generation Core™ i7/i5/i3 Celeron® processor, VGA/LVDS, DDI, GbE, SATA 6Gb/s, USB 3.0, Audio and RoHS
ICE-DB-T6-R10	Baseboard for COM Express Type 6 modules

- 1 Industrial Computing Solutions
- 2 Video Capture Solutions
- 3 Embedded Computing Solutions
- 4 ORing Network Communication
- 5 Power Supply/Peripherals
- 6 Panel Solutions Introduction