

Touch Screen Series

6.5" ~ 19" Resistive LCD Touch Screen Kits

1
Application
Server
Platform

2
Single
Board
Computer

3
IBX Series
POS PC

4
AFOLUX
POS
Panel PC

5
Video
Capture
Card

6
KAMIO
RISC

7
IOVU
Open HMI

8
VITO
Universal
Controller

9
DINO
BLADE

10
LCD
Product
Series

11
Embedded
System

12
Industrial
Computer
Chassis

13
Power
Supply

14
Peripherals



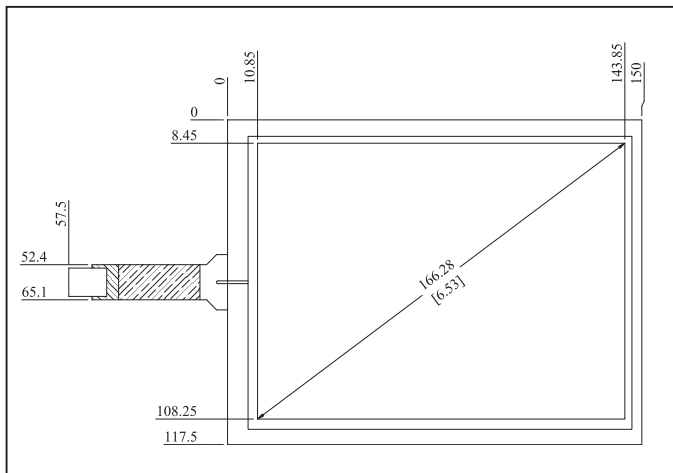
Features

1. Optical clarity: Total transmission 78 % or more
2. Input through a special stylus or finger 100g or less.
3. High reliability and durability in the field

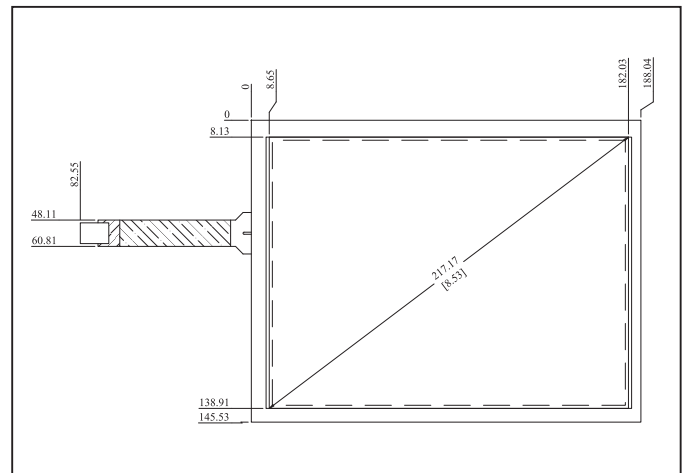
Ordering Information

Touch Screen Kit		ICPA Products	Sensor
RS-232	USB		
T-R065G	T-R065G-USB	DM-65GS, LCD-KIT65G	4-Wire
T-R084G	T-R084G-USB	DM-84GS, ISDM-84G, LCD-KIT84G	4-Wire
T-R104G	T-R104G-USB	DM-104GS, ISDM-104G, LCD-KIT104G	5-Wire
T-R121G	T-R121G-USB	DM-121GS, ISDM-121G, LCD-KIT121G	5-Wire
T-R150G	T-R150G-USB	DM-150GS, ISDM-150G, LCD-KIT150G	5-Wire
T-R170G	T-R170G-USB	DM-170GS, ISDM-170G, LCD-KIT170G	5-Wire
T-R190G	T-R190G-USB	DM-190GS, ISDM-190G, LCD-KIT190G	5-Wire

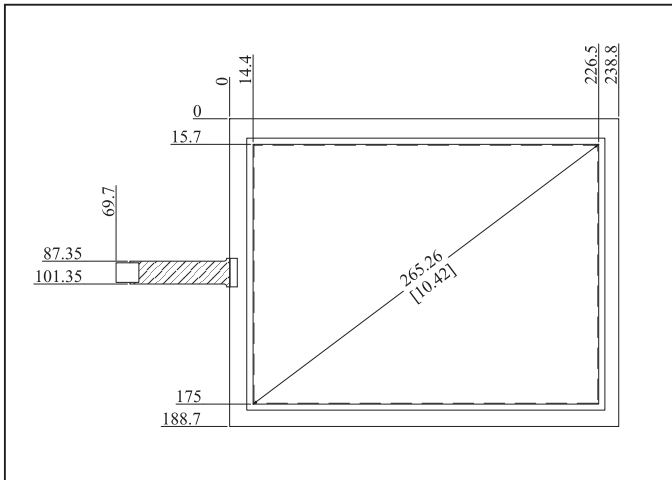
T-R065G



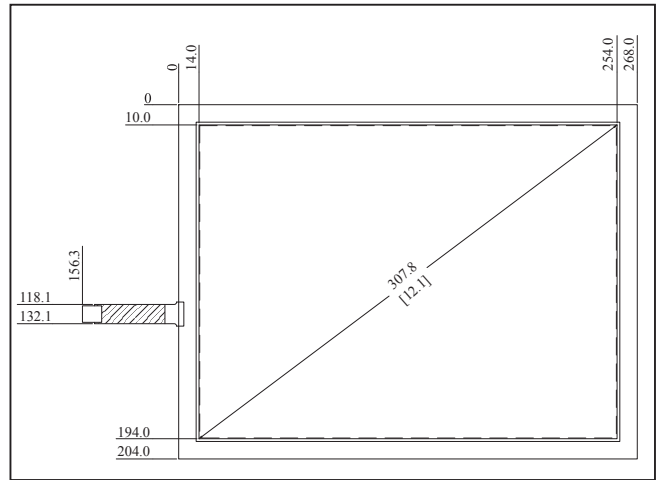
T-R084G



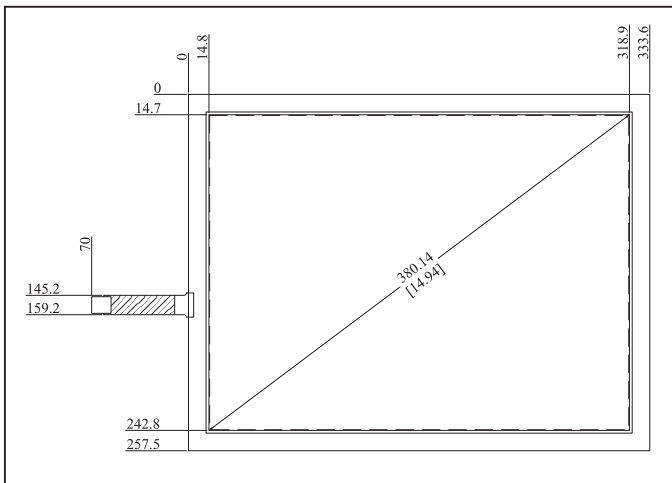
T-R104G



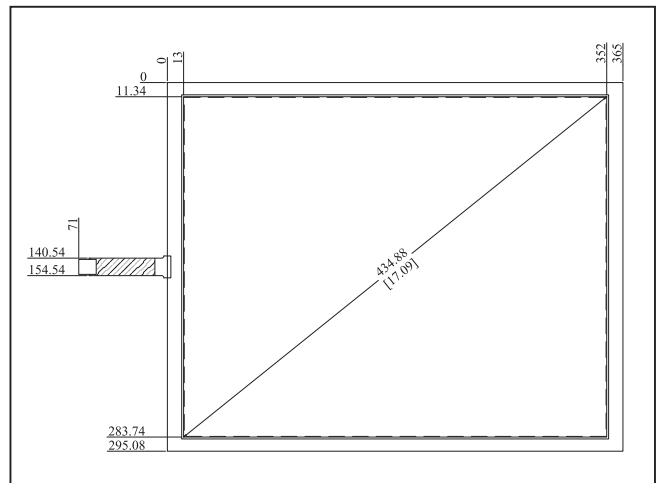
T-R121G



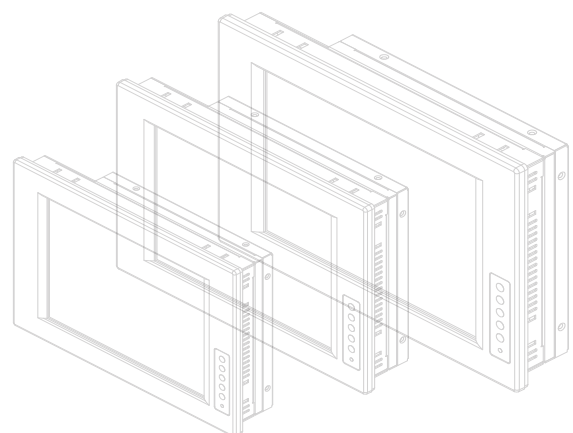
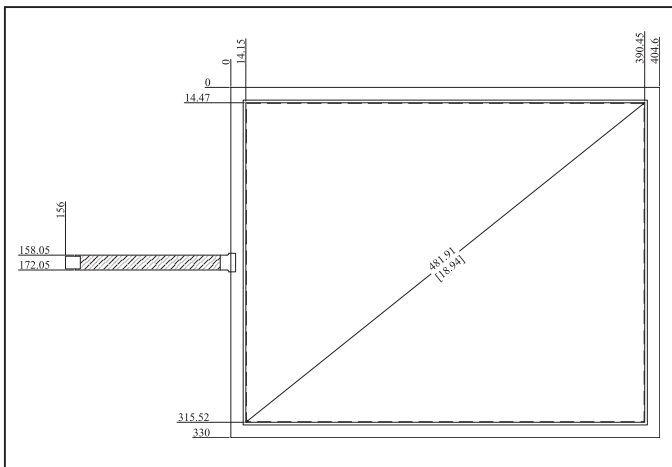
T-R150G



T-R170G



T-R190G



1

Application Server Platform

2

Single Board Computer

3

IBX Series POS PC

4

AFOLUX POS Panel PC

5

Video Capture Card

6

KAMIO RISC

7

IOVU Open HMI

8

VITO Universal Controller

9

DINO BLADE

10

LCD Product Series

11

Embedded System

12

Industrial Computer Chassis

13

Power Supply

14

Peripherals