

# EBC-1000

Industrial 3.5" Embedded Chassis

*Customized-I/O solution for compact size and flexible!!*



Wall mount kits

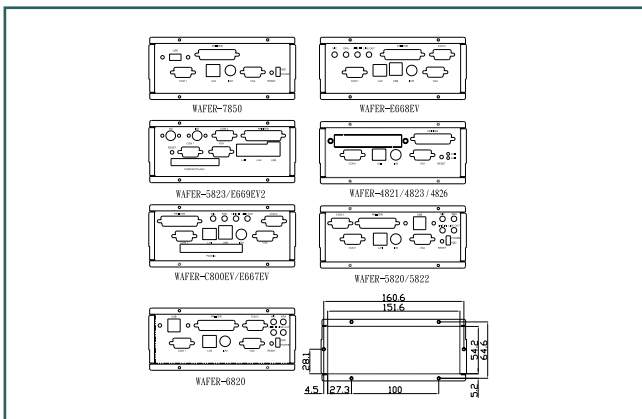
## Feature

- Multi Mounting Design
- IEI WAFER series SBC Supported Embedded Chassis
- Flexible Customizing I/O Port
- Support AC/DC Input Power Supply for different power environment

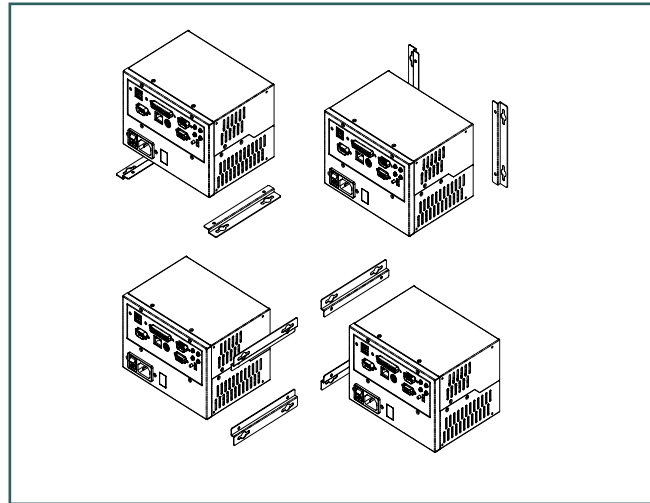
## Specifications

- ◆ Designed to Wall-mount application
- ◆ Designed to IEI 3.5"WAFER series SBC
- ◆ Drive Bays: One 2.5" Internal HDD Drive Bay
- ◆ Standard equipped with Power Supply
  - ACE-890A 90W AC Input AT Power Supply
- ◆ Optional Power Supply:
  - ACE-890AP AC Input AT Power Supply with PFC Function
  - ACE-890V 12V DC Input AT Power Supply
  - ACE-890C 24V DC Input AT Power Supply
  - ACE-890T 48V DC Input AT Power Supply
  - ACE-890P 100V DC Input AT Power Supply
- ◆ Operating temperature: 0~50°C
- ◆ Vibration: 5~17Hz, 0.1"double amplitude displacement  
17~640 Hz, 1.5G acceleration peak to peak
- ◆ Shock: 10G acceleration peak to peak (11ms)
- ◆ Color: Dark Blue (PANTONE 433C)
- ◆ Dimension: 172mm(W)x 116mm(H)x 129mm(D)

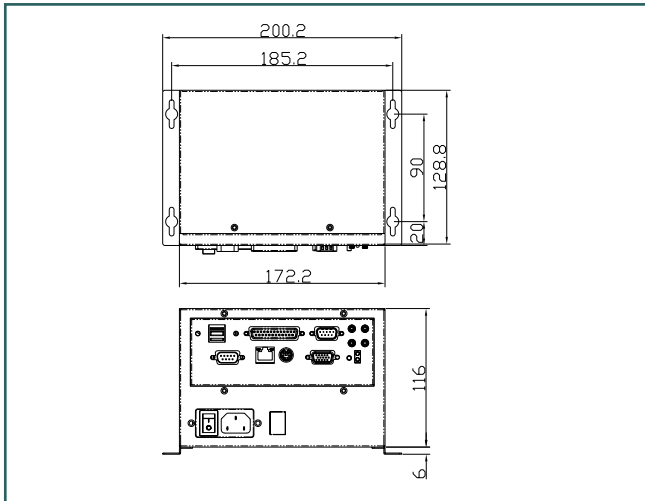
## I/O



## Flexible Mounting



## Dimensions



## Ordering Information

- **EBC-1000/ACE-890A**  
Industrial 3.5" Embedded Chassis with 90W AT Power supply Without I/O Bracket
- **BK-4821**  
WAFER-4821/4823/4826 I/O Bracket and Cable set
- **BK-5820** WAFER-5820/5822/ I/O Bracket and Cable set
- **BK-5823** WAFER-5823/E669/C400 I/O Bracket and Cable set
- **BK-6820** WAFER-6820 I/O Bracket and Cable set
- **BK-7850** WAFER-7850 I/O Bracket and Cable set
- **BK-C800** WAFER-C800/E667 I/O Bracket and Cable set
- **BK-E668** WAFER-E668 I/O Bracket and Cable set

Single Board Computer

LCD Product Series

Chassis

RACK-mount

Compact

Embedded

Barebone System

Power supply

Accessory