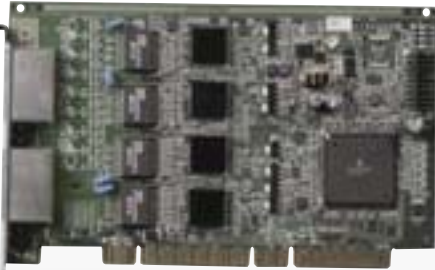
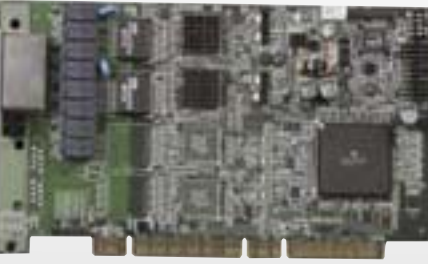


# MLAN-1000

Quad Intel 82540 Gigabit LAN Card with Bypass function



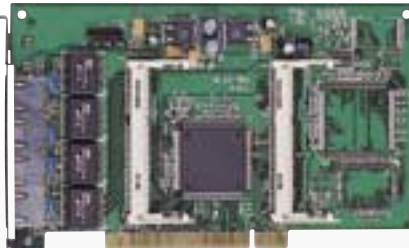
MLAN-1000Q



MLAN-1000DBP

# MLAN-104/104SSL

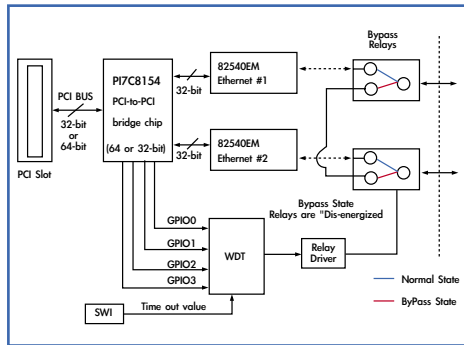
4 LAN Ports Carry Board



MLAN-104



MLAN-104SSL



## Specifications

- ◆ LAN Controller: Four Intel 82540EM 10/100/1000 Mbps Ethernet controller
- ◆ Bus Interface: 64-bit PCI interface (PCI 2.2 compliant)
- ◆ Bridge chips: Pericom PI7C8154 PCI bridge on board (Support 32/64/ bits up to 33/66 MHz)
- ◆ I/O Connection: Four RJ-45 connectors (Two RJ-45 connectors optional)
- ◆ Features: Built-In Watch-Dog Timer for Bypass function
- ◆ Panel-Free design: Reserved extra pin-header for LAN status LED display
- ◆ Software Utility: Software utility for doing functionality configuration

### Bypass function

There are two communications states for the bypass function and default enabled in Normal State. A watch-dog-timer (WDT) is used to control and switch the communication between the two states. A relay array is controlled by the WDT for physically routing of the two Ethernet ports.

The block diagram shows the two Ethernet ports can still operate normally when the operation of the system suspends.

## Ordering Information

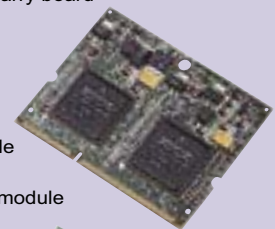
- **MLAN-1000DBP:**  
Dual Intel 82540 Gigabit LAN with Bypass function Card
- **MLAN-1000Q:** Quad Intel 82540 Gigabit LAN Card

## Specifications

- ◆ Bus interface: 32-bit PCI interface (PCI 2.1 compliant)
- ◆ Bridge chips: Intel 21150 or equivalent chip
- ◆ Expansion: Two socket PCI connectors
- ◆ LAN module: LM-102N (Intel 82559) / LM-2G (Broadcom 5701 GbE) / LM-102R (Realtek RTL-8100) / LM-2GN(Intel 82540)
- ◆ SSL chips: Rainbow Fastmap SSL Accelerator onboard (MLAN-104SSL only)
- ◆ Comply with IEEE802.3; IEEE 802.3x Ethernet specifications
- ◆ I/O connection: Four RJ-45 connectors
- ◆ Power requirement: +5V@3A max
- ◆ Operating environment: 0 ~ 50°C
- ◆ Relative humidity: 5 ~ 95%; non-condensing
- ◆ Dimensions: 177mm x 107mm

## Ordering Information

- **MLAN-104**  
4 LAN ports carry board
- **MLAN-104SSL**  
4 LAN ports with SSL Accelerator carry board
- **LM-102N-x50**  
Dual Intel i82550 LAN module
- **LM-102N-x59**  
Dual Intel i82559 LAN module
- **LM-102R**  
Dual Realtek RTL-8100 LAN module
- **LM-2G**  
Dual Broadcom 5701 Gigabit LAN module
- **LM-2GN**  
Dual Intel 82540 Gigabit LAN module



LM-2G



LM-102R

LM-102R

LM-2GN