

IVC-200G

High-end 4-Channel Video Capture Card with GPIO Module

IVC-200G

Bring you real time monitoring of surveillance.

With IVC-200G, you can build up your digital surveillance system with the real-time monitoring experience and quality of video. Having four Conexant 878 chips on board, IVC-200G supports a good quality of video up to 30 frames per second for each individual channel. With this quality of video, you don't have to worry about missing any

important snapshot happening anytime.

Features:

Pain-free extension for multi-card system:

When starting out with a DVR system, it can be surprising just what level of growth your surveillance system will reach. By choosing the IVC-200G, you can expand your surveillance area with no extra reconfiguration of your DVR system. As long as you have a free expansion slot for accommodating new cards, you can easily add more "eyes" watching wherever you most need them.

Smart ID number for easy system maintenance:

With an LED attached to each IVC-200G, you can assign a unique number to each card in your DVR system with which to associate the surveillance area. Should something go wrong in a specific area, you can easily check out the system and replace it with a new card.

Linux Application Development Support

By offering system integrators a Linux driver and SDK, IEI has established a foundation for customers to develop competitive applications both quickly and cost-effectively.

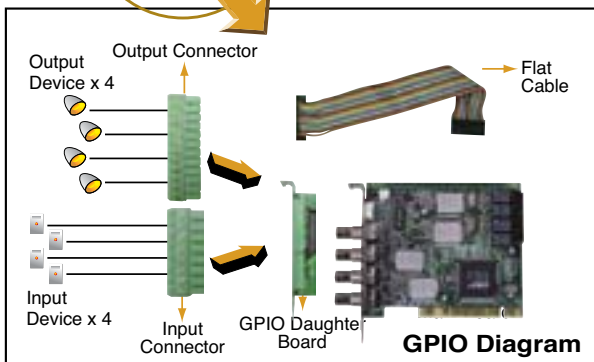
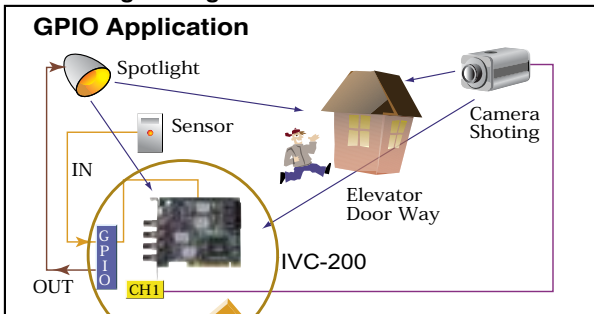
General Purpose Input Output (GPIO):(Optional)

The GPIO connector allows users to connect external I/O devices such as a sensor, light, alarm, switch, etc...for any kind of external control that may be required.

GPIO Application

For example, you can control the spotlight over a doorway at nighttime via the GPIO connection whenever the motion detector has been triggered. Then you don't have to worry about the recording quality when someone intrude the surveillance area at night time.

Watch Dog Timing

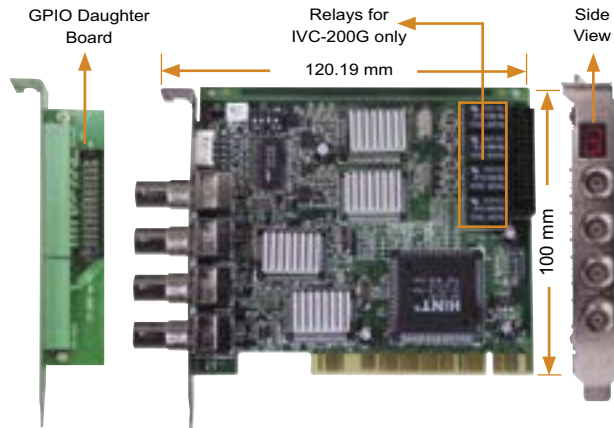


The connection points of each output device are common, normal open (NO), normal closed (NC).

The connection points of each input device are input voltage and ground.

Ordering Information

IVC-200 : High-end 4 channels video capture card (120 FPS)
IVC-200G : High-end 4 channels video capture card (120 FPS) with GPIO module



- ◆ Please note that IVC-100 do not have GPIO module and have no relay on board
- ◆ Linux driver for Red Hat 7.2, 7.3, 8.0

Technical Specification - IVC-200G

Hardware

- Function
 - PCI Single Universal Board
 - Plug and Play, 4 channel video capture card
- Analog Video Capture Engine
 - Conexant FusionTM 878A x 4
 - NTSC/PAL/SECAM Video Decoding

Input/Output Interface

- Video Inputs x4 BNC Connector
- GPIO Module 4 inputs & 4 outputs

Functionality Support

- Multiple Video Resolutions
 - NTSC: 720x480, 704x480, 640x480, 352x240, 320x240, 176x112
 - PAL: 720x576, 704x576, 640x576, 352x288, 320x288, 176x144
- Capture Frame Rate
 - Max 120 FPS for 4 channels

- Support Video Loss Detection
- Multi-screen support
- Support resolution adjustment
- Support image brightness, contrast, and saturation adjustment
- LED for card ID configuration and identification

Software Support

- Provide WDM driver and SDK for developer

Supporting OS

- Window 98 SE, ME, 2000, XP, Linux

Others

- Power Consumption: 3.5W@5V
- Operating Temperature: 0~ 50°C
- Board Size: 120.19mm x 100mm

GPIO Module (Optional)

- General Items
 - 4 relay on IVC-100G PCI board
 - A GPIO daughter board
 - An GPIO output connector (12 pin-out male connector)
 - An GPIO input connector (8 pin-out male connector)
- General Input Specification
 - Input 5VDC
 - Logic 0: 0.5V Max
 - Logic 1: 4.5V Min
 - Input 12VDC
 - Logic 0: 0.5V Max
 - Logic 1: 11V Min
- Relay Coil Specification (At 20°C)
- Relay Contact Rating

Relay Contact Rating	1 FORM C (SPDT)
Contact Capacity	Coil = 0.36W
Resistive Load (cos ϕ = 1)	1A/125VAC;
Inductive Load (cos ϕ = 0.4, L/R = 7ms)	2A/24VDC
	0.3A/30VDC
Rate Carrying Current	2A
Max. allowable voltage	AC 120V; DC 60V
Max. allowable current	2A
Max. allowable power	48W
Contact Material	Ag Alloy

Coil Voltage	Normal Voltage (VDC)	Normal Current (mA)	Coil Resistance (ohm 10%)
5V	5V	66.7	75
Power Consumption (W)	Pull-in Voltage (VDC)	Drop-out Voltage (VDC)	Max Allowable Voltage (VDC)
About 0.36W	75% max 3.75V	10% min 0.5V	110% 5.5V